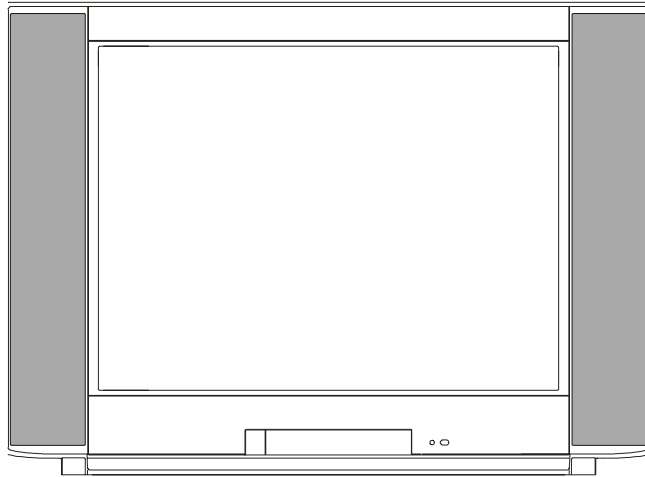


TEAC

SERVICE MANUAL



CT-M6855S

1. Caution.....	2
2. Specification.....	6
3. BOM List	9
4. Alignment Procedure.....	35
5. Block Diagram.....	39
6. Schematic Diagram.....	40
7. PCB Layout.....	41
8. Explode Diagram View.....	42

This manual is the latest at the time of printing, and does not include the modification which may be made after the printing, by the constant improvement of product.

CAUTION:

Use of controls, adjustments or procedures other than those specified herein may result in hazardous radiation exposure.



CAUTION
RISK OF ELECTRIC SHOCK DO NOT OPEN.



CAUTION: TO REDUCE THE RISK OF ELECTRICAL SHOCK, DO NOT REMOVE COVER (OR BACK). NO USER SERVICEABLE PARTS INSIDE. REFER SERVICING TO QUALIFIED SERVICE PERSONNEL.



The lightning flash with arrowhead symbol, with an equilateral triangle is intended to alert the user to the presence of uninsulated “dangerous voltage” within the product’s enclosure that may be of sufficient magnitude to constitute a risk of electric shock to the person.



The exclamation point within an equilateral triangle is intended to alert the user to the presence of important operating and maintenance (servicing) instructions in the literature accompanying the appliance.

WARNING: TO REDUCE RISK OF FIRE OR ELECTRIC SHOCK, DO NOT EXPOSE THIS APPLIANCE TO RAIN OR MOISTURE.

IMPORTANT SAFETY INSTRUCTIONS

CAUTION:

Read all of these instructions. Save these instructions for later use. Follow all Warnings and Instructions marked on the audio equipment.

1. Read Instructions- All the safety and operating instructions should be read before the product is operated.
2. Retain Instructions- The safety and operating instructions should be retained for future reference.
3. Heed Warnings- All warnings on the product and in the operating instructions should be adhered to.
4. Follow Instructions- All operating and use instructions should be followed.

FOR YOUR PERSONAL SAFETY

1. When the power cord or plug is damaged or frayed, unplug this television set from the wall outlet and refer servicing to qualified service personnel.
2. Do not overload wall outlets and extension cords as this can result in fire or electric shock.
3. Do not allow anything to rest on or roll over the power cord, and do not place the TV where power cord is subject to traffic or abuse. This may result in a shock or fire hazard.
4. Do not attempt to service this television set yourself as opening or removing covers may expose you to dangerous voltage or other hazards. Refer all servicing to qualified service personnel.
5. Never push objects of any kind into this television set through cabinet slots as they may touch dangerous voltage points or short out parts that could result in a fire or electric shock. Never spill liquid of any kind on the television set.
6. If the television set has been dropped or the cabinet has been damaged, unplug this television set from the wall outlet and refer servicing to qualified service personnel.
7. If liquid has been spilled into the television set, unplug this television set from the wall outlet and refer servicing to qualified service personnel.
8. Do not subject your television set to impact of any kind. Be particularly careful not to damage the picture tube surface.
9. Unplug this television set from the wall outlet before cleaning. Do not use liquid cleaners or aerosol cleaners. Use a damp cloth for cleaning.
- 10.1. Do not place this television set on an unstable cart, stand, or table. The television set may fall, causing serious injury to a child or an adult, and serious damage to the appliance. Use only with a cart or stand recommended by the manufacturer, or sold with the television set. Wall or shelf mounting should follow the manufacturer's instructions, and should use a mounting kit approved by the manufacturer.
- 10.2. An appliance and cart combination should be moved with care. Quick stops, excessive force, and uneven surfaces may cause the appliance and cart combination to overturn.



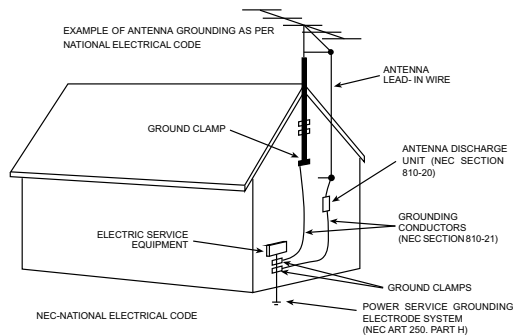
PROTECTION AND LOCATION OF YOUR SET

11. • Do not use this television set near water ... for example, near a bathtub, washbowl, kitchen sink, or laundry tub, in a wet basement, or near a swimming pool, etc.
 - Never expose the set to rain or water. If the set has been exposed to rain or water, unplug the set from the wall outlet and refer servicing to qualified service personnel.
12. Choose a place where light (artificial or sunlight) does not shine directly on the screen.
13. Avoid dusty places, since piling up of dust inside TV chassis may cause failure of the set when high humidity persists.
14. The set has slots, or openings in the cabinet for ventilation purposes, to provide reliable operation of the receiver, to protect it from overheating. These openings must not be blocked or covered.
 - Never cover the slots or openings with cloth or other material.
 - Never block the bottom ventilation slots of the set by placing it on a bed, sofa, rug, etc.
 - Never place the set near or over a radiator or heat register.
 - Never place the set in a "built-in" enclosure, unless proper ventilation is provided.

PROTECTION AND LOCATION OF YOUR SET

- 15.1. If an outside antenna is connected to the television set, be sure the antenna system is grounded so as to provide some protection against voltage surges and built up static charges, Section 810 of the National Electrical Code, NFPA No. 70-1975, provides information with respect to proper grounding of the mast and supporting structure, grounding of the lead-in wire to an antenna discharge unit, size of grounding conductors, location of antenna discharge unit, connection to grounding electrode, and requirements for the grounding electrode.

EXAMPLE OF ANTENNA GROUNDING AS PER NATIONAL ELECTRICAL CODE INSTRUCTIONS



- 15.2. Note to CATV system installer : (Only for the television set with CATV reception)

This reminder is provided to call the CATV system installer's attention to Article 820-40 of the NEC that provides guidelines for proper grounding and, in particular, specifies that the cable ground shall be connected to the grounding system of the building, as close to the point of cable entry as practical.

16. An outside antenna system should not be located in the vicinity of overhead power lines or other electric lights or power circuits, or where it can fall into such power lines or circuits. When installing an outside antenna system, extreme care should be taken to keep from touching such power lines or circuits as contact with them might be fatal.
17. For added protection for this television set during a lightning storm, or when it is left unattended and unused for long periods of time, unplug it from the wall outlet and disconnect the antenna. This will prevent damage due to lightning and power-line surges.

OPERATION OF YOUR SET

18. This television set should be operated only from the type of power source indicated on the marking label. If you are not sure of the type of power supply at your home, consult your television dealer or local power company. For television sets designed to operate from battery power, refer to the operating instructions.
19. If the television set does not operate normally by following the operating instructions, unplug this television set from the wall outlet and refer servicing to qualified service personnel. Adjust only those controls that are covered in the operating instructions as improper adjustment of other controls may result in damage and will often require extensive work by a qualified technician to restore the television set to normal operation.
20. When going on a holiday : If your television set is to remain unused for a period of time, for instance, when you go on a holiday, turn the television set " off " and unplug the television set from the wall outlet.

IF THE SET DOES NOT OPERATE PROPERLY

21. If you are unable to restore normal operation by following the detailed procedure in your operating instructions, do not attempt any further adjustment. Unplug the set and call your dealer or service technician.
22. Whenever the television set is damaged or fails, or a distinct change in performance indicates a need for service, unplug the set and have it checked by a professional service technician.
23. It is normal for some TV sets to make occasional snapping or popping sounds, particularly when being turned on or off. If the snapping or popping is continuous or frequent, unplug the set and consult your dealer or service technician.

FOR SERVICE AND MODIFICATION

24. Do not use attachments not recommended by the television set manufacturer as they may cause hazards.
25. When replacement parts are required, be sure the service technician has used replacement parts specified by the manufacturer that have the same characteristics as the original part. Unauthorized substitutions may result in fire, electric shock, or other hazards.
26. Upon completion of any service or repairs to the television set, ask the service technician to perform routine safety checks to determine that the television is in safe operating condition.

Item No.	Description	Quantity Req.	Designator	Remarks
08-29224E-CR1	ASS' Y - CRT BD	1		
10-1N4148-ABX	DIODE 1N4148 (SWITCHING)	1	D501	
10-1N4148-ABX	DIODE 1N4148 (SWITCHING)	1	D502	
10-1N4148-ABX	DIODE 1N4148 (SWITCHING)	1		L501 ("1" TO P501"1")
11-A562TM-OBX	TRANSISTOR 2SA562TM-0	1	Q507	
11-SC1815-YBX	TRANSISTOR 2SC1815Y	1	Q502	
11-SC1815-YBX	TRANSISTOR 2SC1815Y	1	Q504	
11-SC1815-YBX	TRANSISTOR 2SC1815Y	1	Q506	
11-SC4544-OAX	TRANSISTOR 2SC4544	1	Q501	
11-SC4544-OAX	TRANSISTOR 2SC4544	1	Q503	
11-SC4544-OAX	TRANSISTOR 2SC4544	1	Q505	
18-CB0102-JNX	RES. C.F. 1K OHM 1/6W +/-5%	1	R515	
18-CB0272-JNX	RES. C.F. 2.7k OHM 1/6W +/-5%	1	R514	
18-CB0561-JNX	RES. C.F. 560 OHM 1/6W +/-5%	1	R501	
18-CB0561-JNX	RES. C.F. 560 OHM 1/6W +/-5%	1	R505	
18-CB0561-JNX	RES. C.F. 560 OHM 1/6W +/-5%	1	R510	
18-CB0681-JNX	RES. C.F. 680 OHM 1/6W +/-5%	1	R502	
18-CB0681-JNX	RES. C.F. 680 OHM 1/6W +/-5%	1	R506	
18-CB0681-JNX	RES. C.F. 680 OHM 1/6W +/-5%	1	R509	
18-CB0681-JNX	RES. C.F. 680 OHM 1/6W +/-5%	1	R522	
18-CB0681-JNX	RES. C.F. 680 OHM 1/6W +/-5%	1	R503	
18-CB0681-JNX	RES. C.F. 680 OHM 1/6W +/-5%	1	R508	
18-CB0681-JNX	RES. C.F. 680 OHM 1/6W +/-5%	1	R513	
18-CB0681-JNX	RES. C.F. 680 OHM 1/6W +/-5%	1	R511	
18-FE0272-JNX	RES. M.O. 2.7K OHM 1/2W +/-5%	1	R519	
18-FE0272-JNX	RES. M.O. 2.7K OHM 1/2W +/-5%	1	R520	
18-FE0272-JNX	RES. M.O. 2.7K OHM 1/2W +/-5%	1	R521	
18-FG0183-JHX	RES. M.O. 18K OHM 2W +/-5%	1	R516	
18-FG0183-JHX	RES. M.O. 18K OHM 2W +/-5%	1	R517	
18-FG0183-JHX	RES. M.O. 18K OHM 2W +/-5%	1	R518	
25-BLA100-MIX	CAP. ELEC 10 UF 250V +/-20%	1	C504	
26-AMK102-KRX	CAP. CER 1000 pF 2KV +/-10% R	1	C505	
26-EBP103-ZFX	CAP. CER 0.01UF 50V +80/-20% F	1	C508	
26-EBP103-ZFX	CAP. CER 0.01UF 50V +80/-20% F	1	C509	
26-EBP391-JCX	CAP. CER. 390PF 50V +/-5% CH	1	C502	
26-EBP391-JCX	CAP. CER. 390PF 50V +/-5% CH	1	C501	
26-EBP471-JCX	CAP. CER 470PF 50V +/-5% CH	1	C503	
34-R100K2-1BX	COIL CHOKE 10 UH +/-10%	1	L503	

Item No.	Description	Quantity Req.	Designator	Remarks
35-237250-00X	FERR. BEAD HF70 4. 5X5. 0	2		FOR C508 (L505 & L506)
40-02501C-CRG	P. C. B. CRT BD	1		
41-WJ0050-B00	WIRE BARE JUMPER 5MM	1	L504	
41-WJ0050-B00	WIRE BARE JUMPER 5MM	1	L502	
41-WJ0060-B00	WIRE BARE JUMPER 6mm	1	R504	
41-WJ0060-B00	WIRE BARE JUMPER 6mm	1	R507	
41-WJ0060-B00	WIRE BARE JUMPER 6mm	1	R512	
41-WJ0075-B00	WIRE BARE JUMPER 7. 5MM	1	J503	
46-10967W-01X	PIN BASE *1 TJC1-1A	1		P501 FOR CRT GROUNDING HOUS.
46-30615H-04X	HS 4P24 460 F/W TJC3-4Y/SCN-4	1		P502 FOR M. BD P421
46-37030H-05X	HS 5P 2468#24 450 TJC3-5Y/SCN	1		P503 FOR M. BD P201
25-BCB471-MIX	CAP. ELEC 470 UF 16V +/-20%	1	C506	
47-265540-0U7	SOCKET CRT GZS10-2-4 (C.B.)	1	S501	
08-2922XE-FB1	ASS'Y - FRONT CTL BD	1		
18-CB0103-JNX	RES. C.F. 10K OHM 1/6W +/-5%	1	R087	
18-CB0103-JNX	RES. C.F. 10K OHM 1/6W +/-5%	1	R081	
18-CB0152-JNX	RES. C.F. 1. 5k OHM 1/6W +/-5%	1	R082	
18-CB0182-JNX	RES. C.F. 1. 8K OHM 1/6W +/-5%	1	R083	
18-CB0272-JNX	RES. C.F. 2. 7k OHM 1/6W +/-5%	1	R084	
18-CB0432-JNX	RES. C.F. 4. 3K OHM 1/6W +/-5%	1	R085	
18-CB0622-JNX	RES. C.F. 6. 2k OHM 1/6W +/-5%	1	R086	
40-2922AE-KEA	P. C. B. KEY BD	1		
48-TAC026-XX0	TACT SWITCH KFC-A06A-12	1	S001	
48-TAC026-XX0	TACT SWITCH KFC-A06A-12	1	S002	
48-TAC026-XX0	TACT SWITCH KFC-A06A-12	1	S003	
48-TAC026-XX0	TACT SWITCH KFC-A06A-12	1	S004	
48-TAC026-XX0	TACT SWITCH KFC-A06A-12	1	S005	
48-TAC026-XX0	TACT SWITCH KFC-A06A-12	1	S006	
48-TAC026-XX0	TACT SWITCH KFC-A06A-12	1	S007	
46-39161H-05X	HS 5P 2468#24 400mm TJC3-5Y/JC25-5Y	1	P005	
46-38570H-04X	HS 4P 2468#24 200 TJC3-4Y/JC25-4Y	1	P005B	
63-B30080-BT4	S/T SCREW B 3 X 8 BT	5		FOR CONTROL PCB TO F. CAB
08-29224E-FC1	ASS'Y - FRONT CABINET	1		
02-GND029-XX0	ASS'Y-CRT GND WIRE & HOUS. (29)	1		
42-61308F-GX2	SPEAKER 8 OHM 8W 613	1	SP601	
42-61308F-GX2	SPEAKER 8 OHM 8W 613	1	SP602	
44-290FLW-TS4A	CRT A68AGA20X99	1	CRT01	
46-26514H-04X	HS 4P A/B 500/13 RBGW TJC1-4Y	1	P411H	

Item No.	Description	Quantity Req.	Designator	Remarks
48-388070-XX0	DOOR LOCK	1		
54-205140-000	SPACER CRT MOUNTING T=2MM	4		FOR CRT MTG.
54-314740-0X0	CRT FIBRE SHEET (22mmX22mmX0.8mm)	4		FOR CRT MTG.
55-2922FC-0UN	FRONT CABINET	1		
55-2922FD-0HA	FRONT DOOR	1		
56-2922LE-0HC	LIGHT GUIDING POST	1		
56-2922PK-0UA	POWER KNOB	1		
58-2922FI-1UI	INLAY FRONT AV	1		
62-10654X-00F	UNI-TIE (2.5mmX95mm)	7		
62-227680-0UA	BRACKET ABS-KINGFA 606 (UO)	2		
62-388060-0UA	POWER CORD NIP	1		
63-B30080-AB4	S/T SCREW B 3 X 8 AB	1		FOR WASHER TO AC LINE CORD CLIP MTG
63-H60300-AB4	S/T SCREW H 6 X 30 AB	4		FOR CRT MTG.
65-A60180-20E	EXT. TOOTH WASHTER 6 X 18 X 2	4		FOR CRT MTG.
62-216780-00D	PLATIC TAPE 12"	1		
54-295210-0V0	FIBER WASHER	1		FOR NIP
63-W40150-AB4	S/T SCREW W 4 X 15 AB	8		FOR FIXING MAIN SPEAKER
67-X21679-0E0	SPRING CRT 6mmX50mmX0.6mm	2		
67-X25045-0E0	SPRING KNOB	1		FOR POWER KNOB
36-DEG290-XX1	DEGAUSSING COIL 3100MM	1		
46-27580H-02X	HS 2P22 600/7 TJC3-2Y	1	P602H	
46-27580H-02X	HS 2P22 600/7 TJC3-2Y	1	P601H	
54-113970-0U0	PVC TUBE #5 L=ROLL	0.32		FOR SPK CONNECTORS
08-2922XE-IR1	ASS'Y - RECEIVE BD	1		
11-IRR001-1X0	IR RECEIVER MODULE HS0038A2	1	IR001	
11-SA1015-YBX	TRANSISTOR 2SA1015Y	1	Q081	
14-LED05R-XX1	LED RED FB205	1	D080	
18-CB0470-JNX	RES. C.F. 47 OHM 1/6W +/-5%	1	R089	
18-CB0102-JNX	RES. C.F. 1K OHM 1/6W +/-5%	1	R090	
40-2922AE-IRA	P. C. B. IR RECEIVE BD	1		
41-WJ0060-B00	WIRE BARE JUMPER 6mm	1	J083	
41-WJ0075-B00	WIRE BARE JUMPER 7.5MM	1	J085	
46-33079W-04X	PIN BASE *4 TJC3-4A	1	P005A	
62-388160-0HA	LED BRACKET	1		
62-388170-0HA	BRACKET	1		
63-B30100-BT4	S/T SCREW B 3 X 10 BT	2		FOR REMOTE CONTROL. PCB
25-BCB470-M1X	CAP. ELEC 47 UF 16V +/-20%	1	C080	
11-C124ES-0BX	TRANSISTOR PDTC124ES (NPN)	1	Q082	

Item No.	Description	Quantity Req.	Designator	Remarks
18-CB0223-JNX	RES. C.F. 22k OHM 1/6W +/-5%	1	R091	
08-29224E-MA1	ASS'Y - MAIN BD	1		
10-0BY228-FOX	DIODE BY228	1	D411	
10-0FR104-FBX	DIODE FR104 (FAST RECTIFIER)	1	D412	
10-0FR104-FBX	DIODE FR104 (FAST RECTIFIER)	1	D421	
10-0FR104-FBX	DIODE FR104 (FAST RECTIFIER)	1	D441	
10-0FR104-FBX	DIODE FR104 (FAST RECTIFIER)	1	D431	
10-1N4001-EBX	DIODE 1N4001 (RECTIFIER)	1	D301	
10-1N4148-ABX	DIODE 1N4148 (SWITCHING)	1	D201	
10-1N4148-ABX	DIODE 1N4148 (SWITCHING)	1	D203	
10-1N4148-ABX	DIODE 1N4148 (SWITCHING)	1	D601	
10-1N4148-ABX	DIODE 1N4148 (SWITCHING)	1	D602	
10-1N4148-ABX	DIODE 1N4148 (SWITCHING)	1	D603	
10-1N4148-ABX	DIODE 1N4148 (SWITCHING)	1	D202	
10-1N4148-ABX	DIODE 1N4148 (SWITCHING)	1	D204	
10-1N4148-ABX	DIODE 1N4148 (SWITCHING)	1	D205	
10-79C5V1-DBX	DIODE ZENER 5V1 1/2W 5%	1	D001	
10-79C8V2-DBX	DIODE ZENER 8V2 1/2W 5%	1	D303	
11-630MFP-OAX	TRANSISTOR IRF630MFP	1	Q414	
11-C124ES-OBX	TRANSISTOR PDTC124ES (NPN)	1	Q602	
11-SA1015-YBX	TRANSISTOR 2SA1015Y	1	Q008	
11-SA1015-YBX	TRANSISTOR 2SA1015Y	1	Q215	
11-SA1015-YBX	TRANSISTOR 2SA1015Y	1	Q412	
11-SA1015-YBX	TRANSISTOR 2SA1015Y	1	Q413	
11-SA1015-YBX	TRANSISTOR 2SA1015Y	1	Q601	
11-SA1015-YBX	TRANSISTOR 2SA1015Y	1	Q912	
11-SA1015-YBX	TRANSISTOR 2SA1015Y	1	Q915	
11-SA1015-YBX	TRANSISTOR 2SA1015Y	1	Q916	
11-SC1815-YBX	TRANSISTOR 2SC1815Y	1	Q003	
11-SC1815-YBX	TRANSISTOR 2SC1815Y	1	Q007	
11-SC1815-YBX	TRANSISTOR 2SC1815Y	1	Q202	
11-SC1815-YBX	TRANSISTOR 2SC1815Y	1	Q204	
11-SC1815-YBX	TRANSISTOR 2SC1815Y	1	Q212	
11-SC1815-YBX	TRANSISTOR 2SC1815Y	1	Q451	
11-SC1815-YBX	TRANSISTOR 2SC1815Y	1	Q910	
11-SC1815-YBX	TRANSISTOR 2SC1815Y	1	Q911	
11-SC1815-YBX	TRANSISTOR 2SC1815Y	1	Q913	
11-SC1815-YBX	TRANSISTOR 2SC1815Y	1	Q914	

Item No.	Description	Quantity Req.	Designator	Remarks
11-SC1815-YBX	TRANSISTOR 2SC1815Y	1	Q909	
11-SC2482-0BX	TRANSISTOR 2SC2482	1	Q401	
11-SC3779-DBX	TRANSISTOR 2SC3779D (RF AMPL)	1	Q101	
11-SD2539-0AX	TRANSISTOR 2SD2539 (HORIZ O/P)	1	Q411	
13-000040-52P	IC 4052	1	IC901	
13-000040-52P	IC 4052	1	IC902	
13-00M24C-08P	IC EEPROM 8K M24C08	1	IC001	
13-0TDA81-72S	IC TDA8172	1	IC301	
13-NJW113-6LP	IC NJW1136L	1	IC601	
13-TDA894-4JS	IC TDA8944J	1	IC602	
18-CB0100-JNX	RES. C.F. 10 OHM 1/6W +/-5%	1	R204	
18-CB0101-JNX	RES. C.F. 100 OHM 1/6W +/-5%	1	R213	
18-CB0101-JNX	RES. C.F. 100 OHM 1/6W +/-5%	1	R930	
18-CB0101-JNX	RES. C.F. 100 OHM 1/6W +/-5%	1	R203	
18-CB0102-JNX	RES. C.F. 1K OHM 1/6W +/-5%	1	R003	
18-CB0102-JNX	RES. C.F. 1K OHM 1/6W +/-5%	1	R004	
18-CB0102-JNX	RES. C.F. 1K OHM 1/6W +/-5%	1	R023	
18-CB0102-JNX	RES. C.F. 1K OHM 1/6W +/-5%	1	R031	
18-CB0102-JNX	RES. C.F. 1K OHM 1/6W +/-5%	1	R032	
18-CB0102-JNX	RES. C.F. 1K OHM 1/6W +/-5%	1	R106	
18-CB0102-JNX	RES. C.F. 1K OHM 1/6W +/-5%	1	R453	
18-CB0102-JNX	RES. C.F. 1K OHM 1/6W +/-5%	1	R904	
18-CB0102-JNX	RES. C.F. 1K OHM 1/6W +/-5%	1	R906	
18-CB0102-JNX	RES. C.F. 1K OHM 1/6W +/-5%	1	R910	
18-CB0102-JNX	RES. C.F. 1K OHM 1/6W +/-5%	1	R912	
18-CB0102-JNX	RES. C.F. 1K OHM 1/6W +/-5%	1	R923	
18-CB0102-JNX	RES. C.F. 1K OHM 1/6W +/-5%	1	R924	
18-CB0102-JNX	RES. C.F. 1K OHM 1/6W +/-5%	1	R925	
18-CB0102-JNX	RES. C.F. 1K OHM 1/6W +/-5%	1	R926	
18-CB0102-JNX	RES. C.F. 1K OHM 1/6W +/-5%	1	R931	
18-CB0102-JNX	RES. C.F. 1K OHM 1/6W +/-5%	1	R950	
18-CB0102-JNX	RES. C.F. 1K OHM 1/6W +/-5%	1	R950A	
18-CB0102-JNX	RES. C.F. 1K OHM 1/6W +/-5%	1	R951	
18-CB0102-JNX	RES. C.F. 1K OHM 1/6W +/-5%	1	R951A	
18-CB0103-JNX	RES. C.F. 10K OHM 1/6W +/-5%	1	R006	
18-CB0103-JNX	RES. C.F. 10K OHM 1/6W +/-5%	1	R025	
18-CB0103-JNX	RES. C.F. 10K OHM 1/6W +/-5%	1	R026	
18-CB0103-JNX	RES. C.F. 10K OHM 1/6W +/-5%	1	R033	

Item No.	Description	Quantity Req.	Designator	Remarks
18-CB0103-JNX	RES. C.F. 10K OHM 1/6W +/-5%	1	R035	
18-CB0103-JNX	RES. C.F. 10K OHM 1/6W +/-5%	1	R043	
18-CB0103-JNX	RES. C.F. 10K OHM 1/6W +/-5%	1	R227	
18-CB0103-JNX	RES. C.F. 10K OHM 1/6W +/-5%	1	R246	
18-CB0103-JNX	RES. C.F. 10K OHM 1/6W +/-5%	1	R314	
18-CB0103-JNX	RES. C.F. 10K OHM 1/6W +/-5%	1	R607	
18-CB0103-JNX	RES. C.F. 10K OHM 1/6W +/-5%	1	R054	
18-CB0103-JNX	RES. C.F. 10K OHM 1/6W +/-5%	1	R224	
18-CB0103-JNX	RES. C.F. 10K OHM 1/6W +/-5%	1	R305	
18-CB0104-JNX	RES. C.F. 100K OHM 1/6W +/-5%	1	R034	
18-CB0104-JNX	RES. C.F. 100K OHM 1/6W +/-5%	1	R210	
18-CB0104-JNX	RES. C.F. 100K OHM 1/6W +/-5%	1	R619	
18-CB0104-JNX	RES. C.F. 100K OHM 1/6W +/-5%	1	R943	
18-CB0104-JNX	RES. C.F. 100K OHM 1/6W +/-5%	1	R235	
18-CB0104-JNX	RES. C.F. 100K OHM 1/6W +/-5%	1	R236	
18-CB0104-JNX	RES. C.F. 100K OHM 1/6W +/-5%	1	R907	
18-CB0121-JNX	RES. C.F. 120 OHM 1/6W +/-5%	1	R217	
18-CB0123-JNX	RES. C.F. 12k OHM 1/6W +/-5%	1	R937	
18-CB0123-JNX	RES. C.F. 12k OHM 1/6W +/-5%	1	R413	
18-CB0151-JNX	RES. C.F. 150 OHM 1/6W +/-5%	1	R102	
18-CB0151-JNX	RES. C.F. 150 OHM 1/6W +/-5%	1	R108	
18-CB0151-JNX	RES. C.F. 150 OHM 1/6W +/-5%	1	R228	
18-CB0153-JNX	RES. C.F. 15k OHM 1/6W +/-5%	1	R933	
18-CB0153-JNX	RES. C.F. 15k OHM 1/6W +/-5%	1	R009	
18-CB0153-JNX	RES. C.F. 15k OHM 1/6W +/-5%	1	R021	
18-CB0183-JNX	RES. C.F. 18k OHM 1/6W +/-5%	1	R432	
18-CB0202-JNX	RES. C.F. 2K OHM 1/6W +/-5%	1	R412	
18-CB0220-JNX	RES. C.F. 22 OHM 1/6W +/-5%	1	R027	
18-CB0220-JNX	RES. C.F. 22 OHM 1/6W +/-5%	1	R028	
18-CB0221-JNX	RES. C.F. 220 OHM 1/6W +/-5%	1	R401	
18-CB0221-JNX	RES. C.F. 220 OHM 1/6W +/-5%	1	R928	
18-CB0221-JNX	RES. C.F. 220 OHM 1/6W +/-5%	1	R929	
18-CB0221-JNX	RES. C.F. 220 OHM 1/6W +/-5%	1	R250	
18-CB0222-JNX	RES. C.F. 2.2k OHM 1/6W +/-5%	1	R615	
18-CB0222-JNX	RES. C.F. 2.2k OHM 1/6W +/-5%	1	R903	
18-CB0222-JNX	RES. C.F. 2.2k OHM 1/6W +/-5%	1	R909	
18-CB0222-JNX	RES. C.F. 2.2k OHM 1/6W +/-5%	1	R945	
18-CB0222-JNX	RES. C.F. 2.2k OHM 1/6W +/-5%	1	R946	

Item No.	Description	Quantity Req.	Designator	Remarks
18-CB0222-JNX	RES. C.F. 2.2k OHM 1/6W +/-5%	1	R946A	
18-CB0222-JNX	RES. C.F. 2.2k OHM 1/6W +/-5%	1	R423	
18-CB0222-JNX	RES. C.F. 2.2k OHM 1/6W +/-5%	1	R417	
18-CB0223-JNX	RES. C.F. 22k OHM 1/6W +/-5%	1	R005	
18-CB0223-JNX	RES. C.F. 22k OHM 1/6W +/-5%	1	R022	
18-CB0223-JNX	RES. C.F. 22k OHM 1/6W +/-5%	1	R616	
18-CB0223-JNX	RES. C.F. 22k OHM 1/6W +/-5%	1	R905	
18-CB0223-JNX	RES. C.F. 22k OHM 1/6W +/-5%	1	R911	
18-CB0223-JNX	RES. C.F. 22k OHM 1/6W +/-5%	1	R913	
18-CB0223-JNX	RES. C.F. 22k OHM 1/6W +/-5%	1	R932	
18-CB0223-JNX	RES. C.F. 22k OHM 1/6W +/-5%	1	R938	
18-CB0223-JNX	RES. C.F. 22k OHM 1/6W +/-5%	1	R939	
18-CB0223-JNX	RES. C.F. 22k OHM 1/6W +/-5%	1	R942	
18-CB0223-JNX	RES. C.F. 22k OHM 1/6W +/-5%	1	R940	
18-CB0223-JNX	RES. C.F. 22k OHM 1/6W +/-5%	1	R941	
18-CB0224-JNX	RES. C.F. 220k OHM 1/6W +/-5%	1	R240	
18-CB0271-JNX	RES. C.F. 270 OHM 1/6W +/-5%	1	R243	
18-CB0271-JNX	RES. C.F. 270 OHM 1/6W +/-5%	1	R244	
18-CB0271-JNX	RES. C.F. 270 OHM 1/6W +/-5%	1	R245	
18-CB0303-JNX	RES. C.F. 30K OHM 1/6W +/-5%	1	R241	
18-CB0331-JNX	RES. C.F. 330 OHM 1/6W +/-5%	1	R201	
18-CB0331-JNX	RES. C.F. 330 OHM 1/6W +/-5%	1	R214	
18-CB0331-JNX	RES. C.F. 330 OHM 1/6W +/-5%	1	R608	
18-CB0331-JNX	RES. C.F. 330 OHM 1/6W +/-5%	1	R609	
18-CB0332-JNX	RES. C.F. 3.3k OHM 1/6W +/-5%	1	R212	
18-CB0681-JNX	RES. C.F. 680 OHM 1/6W +/-5%	1	R216	
18-CB0332-JNX	RES. C.F. 3.3k OHM 1/6W +/-5%	1	R253	
18-CB0333-JNX	RES. C.F. 33K OHM 1/6W +/-5%	1	R020	
18-CB0333-JNX	RES. C.F. 33K OHM 1/6W +/-5%	1	R306	
18-CB0333-JNX	RES. C.F. 33K OHM 1/6W +/-5%	1	R617	
18-CB0333-JNX	RES. C.F. 33K OHM 1/6W +/-5%	1	R225	
18-CB0362-JNX	RES. C.F. 3.6K OHM 1/6W +/-5%	1	R302	
18-CB0392-JNX	RES. C.F. 3.9K OHM 1/6W +/-5%	1	R007	
18-CB0392-JNX	RES. C.F. 3.9K OHM 1/6W +/-5%	1	R008	
18-CB0392-JNX	RES. C.F. 3.9K OHM 1/6W +/-5%	1	R203A	
18-CB0392-JNX	RES. C.F. 3.9K OHM 1/6W +/-5%	1	R303	
18-CB0394-JNX	RES. C.F. 390K OHM 1/6W +/-5%	1	R935	
18-CB0470-JNX	RES. C.F. 47 OHM 1/6W +/-5%	1	R024	

Item No.	Description	Quantity Req.	Designator	Remarks
18-CB0470-JNX	RES. C.F. 47 OHM 1/6W +/-5%	1	R927	
18-CB0471-JNX	RES. C.F. 470 OHM 1/6W +/-5%	1	R036	
18-CB0471-JNX	RES. C.F. 470 OHM 1/6W +/-5%	1	R042	
18-CB0471-JNX	RES. C.F. 470 OHM 1/6W +/-5%	1	R044	
18-CB0471-JNX	RES. C.F. 470 OHM 1/6W +/-5%	1	R103	
18-CB0471-JNX	RES. C.F. 470 OHM 1/6W +/-5%	1	R211	
18-CB0472-JNX	RES. C.F. 4.7k OHM 1/6W +/-5%	1	R010	
18-CB0472-JNX	RES. C.F. 4.7k OHM 1/6W +/-5%	1	R315	
18-CB0472-JNX	RES. C.F. 4.7k OHM 1/6W +/-5%	1	R420	
18-CB0472-JNX	RES. C.F. 4.7k OHM 1/6W +/-5%	1	R416	
18-CB0472-JNX	RES. C.F. 4.7k OHM 1/6W +/-5%	1	R602	
18-CB0472-JNX	RES. C.F. 4.7k OHM 1/6W +/-5%	1	R612	
18-CB0473-JNX	RES. C.F. 47K OHM 1/6W +/-5%	1	R101	
18-CB0473-JNX	RES. C.F. 47K OHM 1/6W +/-5%	1	R226	
18-CB0473-JNX	RES. C.F. 47K OHM 1/6W +/-5%	1	R610	
18-CB0473-JNX	RES. C.F. 47K OHM 1/6W +/-5%	1	R219	
18-CB0513-JNX	RES. C.F. 51k OHM 1/6W +/-5%	1	R220	
18-CB0560-JNX	RES. C.F. 56 OHM 1/6W +/-5%	1	R107	
18-CB0563-JNX	RES. C.F. 56K OHM 1/6W +/-5%	1	R414	
18-CB0681-JNX	RES. C.F. 680 OHM 1/6W +/-5%	1	R934	
18-CB0683-JNX	RES. C.F. 68K OHM 1/6W +/-5%	1	R936	
18-CB0683-JNX	RES. C.F. 68K OHM 1/6W +/-5%	1	R418	
18-CB0750-JNX	RES. C.F. 75 OHM 1/6W +/-5%	1	R922	
18-CB0820-JNX	RES. C.F. 82 OHM 1/6W +/-5%	1	R902	
18-CB0820-JNX	RES. C.F. 82 OHM 1/6W +/-5%	1	R908	
18-CB0222-JNX	RES. C.F. 2.2k OHM 1/6W +/-5%	1	R307	
18-CB0822-JNX	RES. C.F. 8.2K OHM 1/6W +/-5%	1	R202	
18-CB0822-JNX	RES. C.F. 8.2K OHM 1/6W +/-5%	1	R256	
18-CD0479-JNX	RES. C.F. 4.7 OHM 1/4W +/-5%	1	R030	
18-CD0829-JNX	RES. C.F. 8.2 OHM 1/4W +/-5%	1	R620	
18-CD0829-JNX	RES. C.F. 8.2 OHM 1/4W +/-5%	1	R613	
18-CE0109-JNX	RES. C.F. 1 OHM 1/2W +/-5%	1	R304	
18-CE0271-JNX	RES. C.F. 270 OHM 1/2W +/-5%	1	R209	
18-EG0109-JHX	RES. FUS. 1 OHM 2W +/-5%	1	R301	
18-EG0109-JHX	RES. FUS. 1 OHM 2W +/-5%	1	R422	
18-EG0109-JHX	RES. FUS. 1 OHM 2W +/-5%	1	R431	
18-EG0229-JHX	RES. FUS. 2.2 OHM 2W +/-5%	1	R461	
18-FE0121-JNX	RES. M.O. 120 OHM 1/2W +/-5%	1	R310	

Item No.	Description	Quantity Req.	Designator	Remarks
18-FE0159-JNX	RES. M.O. 1.5 OHM 1/2W +/-5%	1	R309	
18-FE0472-JNX	RES. M.O. 4.7K OHM 1/2W +/-5%	1	R316	
18-FF0221-JGX	RES. M.O. 220 OHM 1W +/-5%	1	R311	
18-FF0242-JGX	RES. M.O. 2.4K OHM 1W +/-5%	1	R402	
18-FF0681-JGX	RES. M.O. 680 OHM 1W +/-5%	1	R419	
18-FG0103-JHX	RES. M.O. 10K OHM 2W +/-5%	1	R421	
18-FG0399-JHX	RES. M.O. 3.9 OHM 2W +/-5%	1	R415	
18-GM0302-KTX	RES. CEMENT 3K OHM 7W +/-10%	1	R404	
25-264610-MIX	CAP. ELEC 4.7UF 50V +/-20% NP	1	C415	
25-BJB479-MIX	CAP. ELEC 4.7 UF 160V +/-20%	1	C401	
25-BJG101-MIX	CAP. ELEC 100 UF 160V +/-20%	1	C422	
26-AIC332-KBX	CAP. CER 3300 PF 500V +/-10% B	1	C402	
26-AIC391-KBX	CAP. CER 390 PF 500V +/-10% B	1	C403	
26-EBP100-JCX	CAP. CER 10PF 50V +/-5% CH	1	C303	
26-EBP102-KBX	CAP. CER 1000 PF 50V +/-10% B	1	C226	
26-EBP102-KBX	CAP. CER 1000 PF 50V +/-10% B	1	C109	
26-EBP102-KBX	CAP. CER 1000 PF 50V +/-10% B	1	C610	
26-EBP102-KBX	CAP. CER 1000 PF 50V +/-10% B	1	C651	
26-EBP102-KBX	CAP. CER 1000 PF 50V +/-10% B	1	C416	
26-EBP103-ZFX	CAP. CER 0.01UF 50V +80/-20% F	1	C007	
26-EBP103-ZFX	CAP. CER 0.01UF 50V +80/-20% F	1	C022	
26-EBP103-ZFX	CAP. CER 0.01UF 50V +80/-20% F	1	C029	
26-EBP103-ZFX	CAP. CER 0.01UF 50V +80/-20% F	1	C234	
26-EBP103-ZFX	CAP. CER 0.01UF 50V +80/-20% F	1	C238	
26-EBP103-ZFX	CAP. CER 0.01UF 50V +80/-20% F	1	C244	
26-EBP103-ZFX	CAP. CER 0.01UF 50V +80/-20% F	1	C250	
26-EBP103-ZFX	CAP. CER 0.01UF 50V +80/-20% F	1	C921	
26-EBP103-ZFX	CAP. CER 0.01UF 50V +80/-20% F	1	C931A	
26-EBP103-ZFX	CAP. CER 0.01UF 50V +80/-20% F	1	C922	
26-EBP103-ZFX	CAP. CER 0.01UF 50V +80/-20% F	1	C923	
26-EBP103-ZFX	CAP. CER 0.01UF 50V +80/-20% F	1	C034	
26-EBP103-ZFX	CAP. CER 0.01UF 50V +80/-20% F	1	C106	
26-EBP103-ZFX	CAP. CER 0.01UF 50V +80/-20% F	1	C107	
26-EBP103-ZFX	CAP. CER 0.01UF 50V +80/-20% F	1	C108	
26-EBP103-ZFX	CAP. CER 0.01UF 50V +80/-20% F	1	C214	
26-EBP103-ZFX	CAP. CER 0.01UF 50V +80/-20% F	1	C220	
26-EBP103-ZFX	CAP. CER 0.01UF 50V +80/-20% F	1	C225	
26-EBP103-ZFX	CAP. CER 0.01UF 50V +80/-20% F	1	C418	

Item No.	Description	Quantity Req.	Designator	Remarks
26-EBP103-ZFX	CAP. CER 0.01UF 50V +80/-20% F	1	C913	
26-EBP152-KBX	CAP. CER 1500pF 50V +/-10% B	1	C002	
26-EBP181-JCX	CAP. CER 180PF 50V +/-5% CH	1	C919	
26-EBP220-JCX	CAP. CER 22PF 50V +/-5% CH	1	C252	
26-EBP220-JCX	CAP. CER 22PF 50V +/-5% CH	1	C023	
26-EBP220-JCX	CAP. CER 22PF 50V +/-5% CH	1	C024	
26-EBP221-JCX	CAP. CER 220PF 50V +/-5% CH	1	C006	
26-EBP221-JCX	CAP. CER 220PF 50V +/-5% CH	1	C009	
26-EBP221-JCX	CAP. CER 220PF 50V +/-5% CH	1	C027	
26-EBP221-JCX	CAP. CER 220PF 50V +/-5% CH	1	C030	
26-EBP221-JCX	CAP. CER 220PF 50V +/-5% CH	1	C035	
26-EBP222-KBX	CAP. CER 2200PF 50V +/-10% B	1	C217	
26-EBP222-KBX	CAP. CER 2200PF 50V +/-10% B	1	C231	
26-EBP222-KBX	CAP. CER 2200PF 50V +/-10% B	1	C306	
26-EBP270-JCX	CAP. CER 27PF 50V +/-5% CH	1	C008	
26-EBP330-JCX	CAP. CER 33PF 50V +/-5% CH	1	C916	
26-EBP331-JCX	CAP. CER 330PF 50V +/-5% CH	1	C020	
26-EBP331-JCX	CAP. CER 330PF 50V +/-5% CH	1	C042	
26-EBP331-JCX	CAP. CER 330PF 50V +/-5% CH	1	C043	
26-EBP390-JCX	CAP. CER 39PF 50V +/-5% CH	1	C031	
26-EBP390-JCX	CAP. CER 39PF 50V +/-5% CH	1	C032	
27-ALQ432-JOX	CAP. M. PP 4300 PF 1.6KV +/-5%	1	C411	
27-ALQ562-JOX	CAP. M. PP 5600 PF 1.6KV +/-5%	1	C414	
27-ALQ762-JOX	CAP. M. PP 7600 PF 1.6KV +/-5%	1	C412	
27-MBC103-JOX	CAP. M. P. E 0.01UF 63V +/-5%	1	C626	
27-MBC103-JOX	CAP. M. P. E 0.01UF 63V +/-5%	1	C628	
27-MBC104-JOX	CAP. M. P. E 0.1 UF 63V +/-5%	1	C625	
27-MBC104-JOX	CAP. M. P. E 0.1 UF 63V +/-5%	1	C633	
27-MBC104-JOX	CAP. M. P. E 0.1 UF 63V +/-5%	1	C102	
27-MBC104-JOX	CAP. M. P. E 0.1 UF 63V +/-5%	1	C251	
27-MBC104-JOX	CAP. M. P. E 0.1 UF 63V +/-5%	1	C602	
27-MBC104-JOX	CAP. M. P. E 0.1 UF 63V +/-5%	1	C603	
27-MBC104-JOX	CAP. M. P. E 0.1 UF 63V +/-5%	1	C605	
27-MBC104-JOX	CAP. M. P. E 0.1 UF 63V +/-5%	1	C652	
27-MBC104-JOX	CAP. M. P. E 0.1 UF 63V +/-5%	1	C253	
27-MBC222-JOX	CAP. M. P. E 0.0022UF 63V +/-5%	1	C653	
27-MBC222-JOX	CAP. M. P. E 0.0022UF 63V +/-5%	1	C604	
27-MBC222-JOX	CAP. M. P. E 0.0022UF 63V +/-5%	1	C654	

Item No.	Description	Quantity Req.	Designator	Remarks
27-MBC333-JOX	CAP. M. P. E 0.033UF 63V +/-5%	1	C656	
27-MBC334-JOX	CAP. M. P. E 0.33UF 63V +/-5%	1	C608	
27-MBC393-JOX	CAP. M. P. E 0.039UF 63V +/-5%	1	C309	
27-MBC473-JOX	CAP. M. P. E 0.047 UF 63V +/-5%	1	C629	
27-MBC473-JOX	CAP. M. P. E 0.047 UF 63V +/-5%	1	C627	
27-MBC473-JOX	CAP. M. P. E 0.047 UF 63V +/-5%	1	C655	
27-MCB272-JOX	CAP. M. P. E 2700 PF 100V +/-5%	1	C311	
27-PBC224-JOX	CAP. P. E 0.22UF 63V +/-5%	1	C005	
27-PBC224-JOX	CAP. P. E 0.22UF 63V +/-5%	1	C305	
27-PBC822-JOX	CAP. P. E 0.0082UF 63V +/-5%	1	C247	
27-RHQ223-JOX	CAP. PP 0.022 UF 400V +/-5%	1	C413	
27-RHQ563-JOX	CAP. PP 0.056 UF 400V +/-5%	1	C451	
34-A109K0-1IX	COIL CHOKE 1 UH +/-10%	1	L102	
34-R100J2-OEX	COIL PL - 10 UH +/-5%	1	L002	
34-R100J2-OEX	COIL PL - 10 UH +/-5%	1	L208	
34-R220J2-OEX	COIL PL - 22 UH +/-5%	1	L202	
34-R220J2-OEX	COIL PL - 22 UH +/-5%	1	L206	
34-R270J2-OEX	COIL PL - 27 UH +/-5%	1	L207	
34-R470J2-OEX	COIL PL - 47 UH +/-5%	1	L101	
34-R829J2-OEX	COIL PL - 8.2 UH +/-5%	1	L204	
36-HDR001-AX1	TRANSFOR HOR. DRIVE (MAGNETIC CORE)	1	T401	
36-LIN180-XX1	COIL LINEARITY 18 UH	1	L414	
36-WID601-XX1	COIL CHOKE 600 UH	1	L413	
37-BSC290-1650X	FLYBACK BSC29-0165	1	T461	
41-WJ0065-B00	WIRE BARE JUMPER 6.5MM	1	D209	
41-WJ0050-B00	WIRE BARE JUMPER 5MM	1	JP903	
41-WJ0050-B00	WIRE BARE JUMPER 5MM	1	C215	
41-WJ0050-B00	WIRE BARE JUMPER 5MM	1	J610	
41-WJ0055-B00	WIRE BARE JUMPER 5.5 MM	1	J915	
41-WJ0060-B00	WIRE BARE JUMPER 6mm	1	J004	
41-WJ0060-B00	WIRE BARE JUMPER 6mm	1	J005	
41-WJ0060-B00	WIRE BARE JUMPER 6mm	1	J218	
41-WJ0060-B00	WIRE BARE JUMPER 6mm	1	J229	
41-WJ0060-B00	WIRE BARE JUMPER 6mm	1	J301	
41-WJ0060-B00	WIRE BARE JUMPER 6mm	1	J302	
41-WJ0060-B00	WIRE BARE JUMPER 6mm	1	J306	
41-WJ0060-B00	WIRE BARE JUMPER 6mm	1	J307	
41-WJ0060-B00	WIRE BARE JUMPER 6mm	1	J614	

Item No.	Description	Quantity Req.	Designator	Remarks
41-WJ0060-B00	WIRE BARE JUMPER 6mm	1	J628	
41-WJ0060-B00	WIRE BARE JUMPER 6mm	1	J909	
41-WJ0060-B00	WIRE BARE JUMPER 6mm	1	J910	
41-WJ0060-B00	WIRE BARE JUMPER 6mm	1	J911	
41-WJ0060-B00	WIRE BARE JUMPER 6mm	1	J923	
41-WJ0060-B00	WIRE BARE JUMPER 6mm	1	JP901	
41-WJ0060-B00	WIRE BARE JUMPER 6mm	1	JP902	
41-WJ0060-B00	WIRE BARE JUMPER 6mm	1	J419	
41-WJ0065-B00	WIRE BARE JUMPER 6.5MM	1	J008	
41-WJ0065-B00	WIRE BARE JUMPER 6.5MM	1	J023	
41-WJ0065-B00	WIRE BARE JUMPER 6.5MM	1	J201	
41-WJ0065-B00	WIRE BARE JUMPER 6.5MM	1	J202	
41-WJ0065-B00	WIRE BARE JUMPER 6.5MM	1	J217	
41-WJ0065-B00	WIRE BARE JUMPER 6.5MM	1	J602	
41-WJ0065-B00	WIRE BARE JUMPER 6.5MM	1	J606	
41-WJ0065-B00	WIRE BARE JUMPER 6.5MM	1	J305	
41-WJ0065-B00	WIRE BARE JUMPER 6.5MM	1	JP904	
41-WJ0065-B00	WIRE BARE JUMPER 6.5MM	1	D413	
41-WJ0065-B00	WIRE BARE JUMPER 6.5MM	1	D414	
41-WJ0070-B00	WIRE BARE JUMPER 7MM	1	J919	
41-WJ0070-B00	WIRE BARE JUMPER 7MM	1	J922	
41-WJ0070-B00	WIRE BARE JUMPER 7MM	1	J926	
41-WJ0075-B00	WIRE BARE JUMPER 7.5MM	1	J208	
41-WJ0075-B00	WIRE BARE JUMPER 7.5MM	1	J210	
41-WJ0075-B00	WIRE BARE JUMPER 7.5MM	1	J221	
41-WJ0075-B00	WIRE BARE JUMPER 7.5MM	1	J222	
41-WJ0075-B00	WIRE BARE JUMPER 7.5MM	1	J308	
41-WJ0075-B00	WIRE BARE JUMPER 7.5MM	1	J413	
41-WJ0075-B00	WIRE BARE JUMPER 7.5MM	1	J623	
41-WJ0075-B00	WIRE BARE JUMPER 7.5MM	1	J624	
41-WJ0075-B00	WIRE BARE JUMPER 7.5MM	1	J917	
41-WJ0080-B00	WIRE BARE JUMPER 8 MM	1	J006	
41-WJ0080-B00	WIRE BARE JUMPER 8 MM	1	J603	
41-WJ0080-B00	WIRE BARE JUMPER 8 MM	1	J604	
41-WJ0085-B00	WIRE BARE JUMPER 8.5MM	1	J007	
41-WJ0085-B00	WIRE BARE JUMPER 8.5MM	1	J025	
41-WJ0085-B00	WIRE BARE JUMPER 8.5MM	1	J223	
41-WJ0085-B00	WIRE BARE JUMPER 8.5MM	1	J414	

Item No.	Description	Quantity Req.	Designator	Remarks
41-WJ0085-B00	WIRE BARE JUMPER 8.5MM	1	J627	
41-WJ0085-B00	WIRE BARE JUMPER 8.5MM	1	J902	
41-WJ0085-B00	WIRE BARE JUMPER 8.5MM	1	J907	
41-WJ0090-B00	WIRE BARE JUMPER 9MM	1	J024	
41-WJ0090-B00	WIRE BARE JUMPER 9MM	1	J906	
41-WJ0100-B00	WIRE BARE JUMPER 10MM	1	J021	
41-WJ0100-B00	WIRE BARE JUMPER 10MM	1	J022	
41-WJ0100-B00	WIRE BARE JUMPER 10MM	1	J403	
41-WJ0100-B00	WIRE BARE JUMPER 10MM	1	J615	
41-WJ0100-B00	WIRE BARE JUMPER 10MM	1	J818	
41-WJ0100-B00	WIRE BARE JUMPER 10MM	1	J901	
41-WJ0100-B00	WIRE BARE JUMPER 10MM	1	J912	
41-WJ0100-B00	WIRE BARE JUMPER 10MM	1	J914	
41-WJ0100-B00	WIRE BARE JUMPER 10MM	1	J916	
41-WJ0100-B00	WIRE BARE JUMPER 10MM	1	J921	
41-WJ0115-B00	WIRE BARE JUMPER 11.5MM	1	J607	
41-WJ0105-B00	WIRE BARE JUMPER 10.5MM	1	J228	
41-WJ0110-B00	WIRE BARE JUMPER 11MM	1	J001	
41-WJ0110-B00	WIRE BARE JUMPER 11MM	1	J002	
41-WJ0110-B00	WIRE BARE JUMPER 11MM	1	J003	
41-WJ0110-B00	WIRE BARE JUMPER 11MM	1	J012	
41-WJ0110-B00	WIRE BARE JUMPER 11MM	1	J918	
41-WJ0125-B00	WIRE BARE JUMPER 12.5MM	1	J205	
41-WJ0125-B00	WIRE BARE JUMPER 12.5MM	1	J206	
41-WJ0125-B00	WIRE BARE JUMPER 12.5MM	1	J227	
41-WJ0125-B00	WIRE BARE JUMPER 12.5MM	1	J929	
41-WJ0125-B00	WIRE BARE JUMPER 12.5MM	1	J930	
41-WJ0130-B00	WIRE BARE JUMPER 13MM	1	J220	
41-WJ0140-B00	WIRE BARE JUMPER 14MM	1	J224	
41-WJ0145-B00	WIRE BARE JUMPER 14.5MM	1	J904	
41-WJ0150-B00	WIRE BARE JUMPER 15MM	1	J411	
41-WJ0150-B00	WIRE BARE JUMPER 15MM	1	J420	
41-WJ0150-B00	WIRE BARE JUMPER 15MM	1	J421	
41-WJ0150-B00	WIRE BARE JUMPER 15MM	1	J920	
41-WJ0150-B00	WIRE BARE JUMPER 15MM	1	L412	
41-WJ0165-B00	WIRE BARE JUMPER 16.5MM	1	J225	
41-WJ0165-B00	WIRE BARE JUMPER 16.5MM	1	J611	
41-WJ0165-B00	WIRE BARE JUMPER 16.5MM	1	J612	

Item No.	Description	Quantity Req.	Designator	Remarks
41-WJ0175-B00	WIRE BARE JUMPER 17.5MM	1	J212	
41-WJ0185-B00	WIRE BARE JUMPER 18.5MM	1	J016	
41-WJ0185-B00	WIRE BARE JUMPER 18.5MM	1	J017	
41-WJ0185-B00	WIRE BARE JUMPER 18.5MM	1	J226	
41-WJ0185-B00	WIRE BARE JUMPER 18.5MM	1	J621	
41-WJ0185-B00	WIRE BARE JUMPER 18.5MM	1	J626	
41-WJ0190-B00	WIRE BARE JUMPER 19MM	1	J014	
41-WJ0190-B00	WIRE BARE JUMPER 19MM	1	J015	
41-WJ0190-B00	WIRE BARE JUMPER 19MM	1	J018	
41-WJ0190-B00	WIRE BARE JUMPER 19MM	1	J908	
41-WJ0195-B00	WIRE BARE JUMPER 19.5MM	1	J601	
41-WJ0200-B00	WIRE BARE JUMPER 20MM	1	J013	
41-WJ0200-B00	WIRE BARE JUMPER 20MM	1	J905	
41-WJ0200-B00	WIRE BARE JUMPER 20MM	1	J913	
45-OSC8M0-0Y0	CRYSTAL 8.0MHZ	1	X001	
45-TRA5M5-0Y0	CER TRAP TPS 5.5MHZ	1	X203	
46-20598W-04X	PIN BASE *4 TJC1-4A	1	P411	
46-33079W-02X	PIN BASE *2 TJC3-2A	1		P601 (L)
46-33079W-02X	PIN BASE *2 TJC3-2A	1		P602 (R)
46-33079W-03X	PIN BASE *3 TJC3-3A	1	P002	
46-33079W-04X	PIN BASE *4 TJC3-4A	1	P421	
46-33079W-05X	PIN BASE *5 TJC3-5A	1	P001	
46-33079W-05X	PIN BASE *5 TJC3-5A	1		P201 (P1 TO P5)
46-33079W-07X	PIN BASE *7 TJC3-7A	1	P920	
62-2922MB-0UN	MAIN BD BRACKET	1		
63-B30100-BT4	S/T SCREW B 3 X 10 BT	2		MTG M. BD & FBT
64-P30080-104	M/C SCREW P 3 X 8	1		FOR IC301
64-P30080-104	M/C SCREW P 3 X 8	1		FOR Q411
64-P30080-104	M/C SCREW P 3 X 8	1		FOR Q414
65-Z30050-23M	NUT M 3	1		FOR IC301
65-Z30050-23M	NUT M 3	1		FOR Q411
67-H27292-1A0	HEAT SINK	1		FOR Q414
67-H30147-0A0	HEAT SINK FOR HORIZ (2501/2909	1		FOR Q411
67-H34423-4A0	HEAT SINK	1		FOR IC602
25-BCA100-M1X	CAP. ELEC 10 UF 16V +/-20%	1	C906	
25-BCA100-M1X	CAP. ELEC 10 UF 16V +/-20%	1	C911	
25-BCA100-M1X	CAP. ELEC 10 UF 16V +/-20%	1	C912	
25-BCA100-M1X	CAP. ELEC 10 UF 16V +/-20%	1	C917	

Item No.	Description	Quantity Req.	Designator	Remarks
25-BCA100-M1X	CAP. ELEC 10 UF 16V +/-20%	1	C021	
25-BCA100-M1X	CAP. ELEC 10 UF 16V +/-20%	1	C033	
25-BCA101-M1X	CAP. ELEC 100 UF 16V +/-20%	1	C930	
25-BCA101-M1X	CAP. ELEC 100 UF 16V +/-20%	1	C930A	
25-BCA101-M1X	CAP. ELEC 100 UF 16V +/-20%	1	C028	
25-BCA101-M1X	CAP. ELEC 100 UF 16V +/-20%	1	C612	
25-BCA101-M1X	CAP. ELEC 100 UF 16V +/-20%	1	C210	
25-BCA102-M1X	CAP. ELEC 1000 UF 16V +/-20%	1	C245	
25-BCA470-M1X	CAP. ELEC 47 UF 16V +/-20%	1	C920	
25-BCB100-M1X	CAP. ELEC 10 UF 16V +/-20%	1	C228	
25-BCB100-M1X	CAP. ELEC 10 UF 16V +/-20%	1	C235	
25-BCB221-M1X	CAP. ELEC 220 UF 16V +/-20%	1	C910	
25-BCB470-M1X	CAP. ELEC 47 UF 16V +/-20%	1	C229	
25-BCB470-M1X	CAP. ELEC 47 UF 16V +/-20%	1	C631	
25-BCB479-M1X	CAP. ELEC 4.7 UF 16V +/-20%	1	C223	
25-BCB479-M1X	CAP. ELEC 4.7 UF 16V +/-20%	1	C304	
25-BCB479-M1X	CAP. ELEC 4.7 UF 16V +/-20%	1	C614	
25-BCB479-M1X	CAP. ELEC 4.7 UF 16V +/-20%	1	C615	
25-BCB479-M1X	CAP. ELEC 4.7 UF 16V +/-20%	1	C616	
25-BCB479-M1X	CAP. ELEC 4.7 UF 16V +/-20%	1	C617	
25-BCB479-M1X	CAP. ELEC 4.7 UF 16V +/-20%	1	C618	
25-BCB479-M1X	CAP. ELEC 4.7 UF 16V +/-20%	1	C619	
25-BCB479-M1X	CAP. ELEC 4.7 UF 16V +/-20%	1	C620	
25-BEA221-M1X	CAP. ELEC 220 UF 35V +/-20%	1	C302	
25-BEA471-M1X	CAP. ELEC 470 UF 35V +/-20%	1	C301	
25-BEG222-M1X	CAP. ELEC 2200 UF 35V +/-20%	1	C308	
25-BFB101-M1X	CAP. ELEC 100 UF 50V +/-20%	1	C224	
25-BFB101-M1X	CAP. ELEC 100 UF 50V +/-20%	1	C105	
25-BFB101-M1X	CAP. ELEC 100 UF 50V +/-20%	1	C237	
25-BFB109-M1X	CAP. ELEC 1 UF 50V +/-20%	1	C218	
25-BFB109-M1X	CAP. ELEC 1 UF 50V +/-20%	1	C221	
25-BFB109-M1X	CAP. ELEC 1 UF 50V +/-20%	1	C307	
25-BFB228-M1X	CAP. ELEC 0.22 UF 50V +/-20%	1	C216	
25-BFB229-M1X	CAP. ELEC 2.2 UF 50V +/-20%	1	C601	
25-BFB229-M1X	CAP. ELEC 2.2 UF 50V +/-20%	1	C607	
25-BFB229-M1X	CAP. ELEC 2.2 UF 50V +/-20%	1	C650	
25-BFB229-M1X	CAP. ELEC 2.2 UF 50V +/-20%	1	C657	
25-BFB478-M1X	CAP. ELEC 0.47 UF 50V +/-20%	1	C227	

Item No.	Description	Quantity Req.	Designator	Remarks
25-BFB478-M1X	CAP. ELEC 0.47 UF 50V +/-20%	1	C246	
25-BFB478-M1X	CAP. ELEC 0.47 UF 50V +/-20%	1	C248	
25-BFB478-M1X	CAP. ELEC 0.47 UF 50V +/-20%	1	C918	
27-MBC474-JOX	CAP. M.P.E 0.47UF 63V +/-5%	1	C211	
25-BFB479-M1X	CAP. ELEC 4.7 UF 50V +/-20%	1	C101	
11-SC1815-YBX	TRANSISTOR 2SC1815Y	1	Q630	
11-SC1815-YBX	TRANSISTOR 2SC1815Y	1	Q631	
18-CB0101-JNX	RES. C.F. 100 OHM 1/6W +/-5%	1	R231	
18-CB0102-JNX	RES. C.F. 1K OHM 1/6W +/-5%	1	R233	
18-CB0102-JNX	RES. C.F. 1K OHM 1/6W +/-5%	1	R604	
18-CB0102-JNX	RES. C.F. 1K OHM 1/6W +/-5%	1	R611	
18-CB0223-JNX	RES. C.F. 22k OHM 1/6W +/-5%	1	R630	
18-CB0223-JNX	RES. C.F. 22k OHM 1/6W +/-5%	1	R631	
18-CB0223-JNX	RES. C.F. 22k OHM 1/6W +/-5%	1	R632	
18-CB0223-JNX	RES. C.F. 22k OHM 1/6W +/-5%	1	R633	
18-CB0331-JNX	RES. C.F. 330 OHM 1/6W +/-5%	1	R232	
25-BCB470-M1X	CAP. ELEC 47 UF 16V +/-20%	1	C241A	
26-EBP103-ZFX	CAP. CER 0.01UF 50V +80/-20% F	1	C222	
41-WJ0075-B00	WIRE BARE JUMPER 7.5MM	1	J230	
41-WJ0175-B00	WIRE BARE JUMPER 17.5MM	1	J010	
41-WJ0175-B00	WIRE BARE JUMPER 17.5MM	1	J011	
66-343730-OB0	HOLLOW RIVET 1.6X3.0XL3.2	8		FOR T461
66-382330-OB7	RIVET 2.0X3.7X3.5	2		FOR R404
66-343730-OB0	HOLLOW RIVET 1.6X3.0XL3.2	2		FOR C412
66-343730-OB0	HOLLOW RIVET 1.6X3.0XL3.2	2		FOR C414
66-343730-OB0	HOLLOW RIVET 1.6X3.0XL3.2	2		FOR C411
66-343730-OB0	HOLLOW RIVET 1.6X3.0XL3.2	2		FOR C413
66-343730-OB0	HOLLOW RIVET 1.6X3.0XL3.2	2		FOR C419
66-343730-OB0	HOLLOW RIVET 1.6X3.0XL3.2	2		FOR L413
66-343730-OB0	HOLLOW RIVET 1.6X3.0XL3.2	2		FOR L414
66-382330-OB7	RIVET 2.0X3.7X3.5	2		FOR D411
66-343730-OB0	HOLLOW RIVET 1.6X3.0XL3.2	3		FOR Q411
41-WJ0150-B00	WIRE BARE JUMPER 15MM	1	L411	
63-W30100-AB4	S/T SCREW W 3 X 10 AB	7		MTG M. BD & M. BD BKT
54-128700-0X0	FIBRE WASHER 3.3 X 10 X 0.8	2		FOR FBT
41-WJ0150-B00	WIRE BARE JUMPER 15MM	1	J019	
41-WJ0150-B00	WIRE BARE JUMPER 15MM	1	J101	
41-WJ0150-B00	WIRE BARE JUMPER 15MM	1	J104	

Item No.	Description	Quantity Req.	Designator	Remarks
41-WJ0175-B00	WIRE BARE JUMPER 17.5MM	1	J105	
41-WJ0060-B00	WIRE BARE JUMPER 6mm	1	J102	
41-WJ0090-B00	WIRE BARE JUMPER 9MM	1	J1110	
10-1N4148-ABX	DIODE 1N4148 (SWITCHING)	1	R618	
18-CB0332-JNX	RES. C.F. 3.3k OHM 1/6W +/-5%	1	J219	
25-BCB470-M1X	CAP. ELEC 47 UF 16V +/-20%	1	C630	
18-CB0331-JNX	RES. C.F. 330 OHM 1/6W +/-5%	1	R944	
27-MBC104-JOX	CAP. M.P.E 0.1 UF 63V +/-5%	1	C242	
18-CB0272-JNX	RES. C.F. 2.7k OHM 1/6W +/-5%	1	R001	
18-CB0272-JNX	RES. C.F. 2.7k OHM 1/6W +/-5%	1	R002	
11-2N3904-OBX	TRANSISTOR 2N3904 (NPN)	1	Q004	
27-AHR514-JSX	CAP. M.P.P 0.51 UF 400V +/-5%	1	C419	
18-DB0123-FNX	RES. M.F. 12K OHM 1/6W +/-1%	1	R308	
18-CB0151-JNX	RES. C.F. 150 OHM 1/6W +/-5%	1	R218	
25-BCB100-M1X	CAP. ELEC 10 UF 16V +/-20%	1	C902	
25-BCB100-M1X	CAP. ELEC 10 UF 16V +/-20%	1	C903	
25-BCB100-M1X	CAP. ELEC 10 UF 16V +/-20%	1	C905	
25-BCB470-M1X	CAP. ELEC 47 UF 16V +/-20%	1	C213	
25-BCB470-M1X	CAP. ELEC 47 UF 16V +/-20%	1	C901	
25-BCB470-M1X	CAP. ELEC 47 UF 16V +/-20%	1	C904	
25-BCB101-M1X	CAP. ELEC 100 UF 16V +/-20%	1	C219	
25-BCB101-M1X	CAP. ELEC 100 UF 16V +/-20%	1	C233	
25-BCB101-M1X	CAP. ELEC 100 UF 16V +/-20%	1	C914	
25-BKA100-M1X	CAP. ELEC 10 UF 200V +/-20%	1	C421	
25-BDA102-M1X	CAP. ELEC 1000 UF 25V +/-20%	1	C623	
25-BEA102-M1X	CAP. ELEC 1000 UF 35V +/-20%	1	C432	
67-H30179-7A0	HEAT SINK	1		FOR IC301
13-A20V02-TOP	IC TCL-A20V02-TO	1	IC101	
41-WJ0065-B00	WIRE BARE JUMPER 6.5MM	1	J304	
41-WJ0065-B00	WIRE BARE JUMPER 6.5MM	1	J622	
41-WJ0125-B00	WIRE BARE JUMPER 12.5MM	1	J020	
41-WJ0200-B00	WIRE BARE JUMPER 20MM	1	J618	
41-WJ0200-B00	WIRE BARE JUMPER 20MM	1	J619	
41-WJ0200-B00	WIRE BARE JUMPER 20MM	1	J620	
41-WJ0115-B00	WIRE BARE JUMPER 11.5MM	1	J613	
41-WJ0125-B00	WIRE BARE JUMPER 12.5MM	1	J608	
41-WJ0085-B00	WIRE BARE JUMPER 8.5MM	1	J605	
41-WJ0160-B00	WIRE BARE JUMPER 16MM	1	J405	

Item No.	Description	Quantity Req.	Designator	Remarks
41-WJ0075-B00	WIRE BARE JUMPER 7.5MM	1	J924	
41-WJ0075-B00	WIRE BARE JUMPER 7.5MM	1	J925	
41-WJ0140-B00	WIRE BARE JUMPER 14MM	1	J207	
41-WJ0090-B00	WIRE BARE JUMPER 9MM	1	J015A	
41-WJ0085-B00	WIRE BARE JUMPER 8.5MM	1	J415	
41-WJ0075-B00	WIRE BARE JUMPER 7.5MM	1	J416	
27-MBC472-JOX	CAP. M. P. E. 0.0047UF 63V +/-5%	1	C645	
27-MBC472-JOX	CAP. M. P. E. 0.0047UF 63V +/-5%	1	C646	
41-WJ0050-B00	WIRE BARE JUMPER 5MM	1	J631	
41-WJ0085-B00	WIRE BARE JUMPER 8.5MM	1	J629	
40-2970ME-MAF	P. C. B. MAIN BD	1		
26-EBP222-KBX	CAP. CER 2200PF 50V +/-10% B	1	C003	
34-R100J2-OEX	COIL PL - 10 UH +/-5%	1	J617	
41-WJ0065-B00	WIRE BARE JUMPER 6.5MM	1	J303	
11-SC1815-YBX	TRANSISTOR 2SC1815Y	1	Q605	
25-BCB100-MIX	CAP. ELEC 10 UF 16V +/-20%	1	C647	
10-79C3V9-DBX	DIODE ZENER 3V9 1/2W 5%	1	D605	
64-P30100-104	M/C SCREW P 3 X 10	2		FOR IC602
18-CB0103-JNX	RES. C. F. 10K OHM 1/6W +/-5%	1	R635	
26-AIC221-KBX	CAP. CER 220 PF 500V +/-10% B	1	C441	
26-AIC221-KBX	CAP. CER 220 PF 500V +/-10% B	1	C431	
18-RG0228-JHX	RES. WIRE ROUND 0.22 OHM 2W +/-5%	1	R614	
25-BLF100-MIX	CAP. ELEC 10 UF 250V +/-20%	1	C442	
26-ABC104-ZFX	CAP. CER 0.1 UF 50V +80-20% F	1	C004	
26-ABC104-ZFX	CAP. CER 0.1 UF 50V +80-20% F	1	C230	
26-ABC104-ZFX	CAP. CER 0.1 UF 50V +80-20% F	1	C232	
26-ABC104-ZFX	CAP. CER 0.1 UF 50V +80-20% F	1	C236	
26-ABC104-ZFX	CAP. CER 0.1 UF 50V +80-20% F	1	C622	
26-ABC104-ZFX	CAP. CER 0.1 UF 50V +80-20% F	1	C611	
26-ABC104-ZFX	CAP. CER 0.1 UF 50V +80-20% F	1	C613	
26-ABC104-ZFX	CAP. CER 0.1 UF 50V +80-20% F	1	C624	
26-ABC104-ZFX	CAP. CER 0.1 UF 50V +80-20% F	1	C643	
26-ABC104-ZFX	CAP. CER 0.1 UF 50V +80-20% F	1	C241	
26-ABC104-ZFX	CAP. CER 0.1 UF 50V +80-20% F	1	C243	
26-ABC104-ZFX	CAP. CER 0.1 UF 50V +80-20% F	1	R237	
41-WJ0050-B00	WIRE BARE JUMPER 5MM	1		FOR Q205 (C-E)
11-SC1815-YBX	TRANSISTOR 2SC1815Y	1		Q201
41-WJ0100-B00	WIRE BARE JUMPER 10MM	1	R206	

Item No.	Description	Quantity Req.	Designator	Remarks
18-CB0223-JNX	RES. C.F. 22k OHM 1/6W +/-5%	1	R208A	
18-CB0471-JNX	RES. C.F. 470 OHM 1/6W +/-5%	1	R208	
18-CB0820-JNX	RES. C.F. 82 OHM 1/6W +/-5%	1	R901	
26-EBP101-JCX	CAP. CER 100PF 50V +/-5% CH	1	C240	
26-EBP471-JCX	CAP. CER 470PF 50V +/-5% CH	1	C239	
34-R220J2-0EX	COIL PL - 22 UH +/-5%	1	L201	
41-WJ0125-B00	WIRE BARE JUMPER 12.5MM	1	J209	
41-WJ0100-B00	WIRE BARE JUMPER 10MM	1	R207	
41-WJ0130-B00	WIRE BARE JUMPER 13MM	1	R206A	
41-WJ0100-B00	WIRE BARE JUMPER 10MM	1	R207A	
46-33079W-07X	PIN BASE *7 TJC3-7A	1	.	P921
07-389VI5-NX4	TUNER UV1355-BK2 (BG/HB/IEC/5V	1	TU101	
25-BDB470-MIX	CAP. ELEC 47 UF 25V +/-20%	1	C632	
41-WJ0060-B00	WIRE BARE JUMPER 6mm	1	J630	
10-1N4148-ABX	DIODE 1N4148 (SWITCHING)	1		J616("-" FOR Q631 "C")
45-SAW395-3M0	SAW FILTER K3953M(PIF 38.9MHz)	1	Z101	
08-29224E-PA1	ASS'Y - PACKING	1		
74-022032-6WE	POLYBAG (23cmX34cmX0.06mm)	1		
74-130130-80H	POLYBAG (130CMX130CM)	1		
75-2922LL-ECO	POLYFOAM "LL"	1		
75-2922LR-ECO	POLYFOAM "LR"	1		
75-2922UL-ECO	POLYFOAM "UL"	1		
75-2922UR-ECO	POLYFOAM "UR"	1		
76-002922-0AT	CARTON BOX	1		
49-267710-BAT	BATT. R6P AA SUM3 5#	2		
72-29224E-AA12	OPERATION MANUAL	1		
08-29224E-RC1	ASS'Y - REAR CABINET	1		
54-114000-00X	FELT TAPE (150mmX19mmX0.3mm)	11		
55-2922RC-OUN	REAR CABINET	1		
58-2922MP-OUI	PLATE MODEL NO.	1		
63-B40250-AB3	S/T SCREW B 4 X 25 AB (BLACK)	13		FOR F. CAB TO R. CAB
64-F30100-103	M/C SCREW F 3 X 10	2		MTG TERMINAL BKT & R. CAB
47-ANT001-XX0	CONNECTOR RF DIN-RCA	1		
58-2922RI-2UI	INLAY REAR AV	1		
41-PG0300-OKM	CABLE 75 OHM 300MM RCA-DIN W/T	1		FOR TUNER
08-29224E-SW1	ASS'Y - POWER SW. BD	1		
46-28559W-02X	PIN BASE *2 TJC1-2A	1		S801B FOR POWER CORD
51-JC0243-OCH01	POWER CORD SAA PLUG W/HOUSING	1		

Item No.	Description	Quantity Req.	Designator	Remarks
62-388180-OHA	POWER SW. ADAPTER	1		
63-B30100-BT4	S/T SCREW B 3 X 10 BT	2		FOR POWER SWITCH TO F. CAB
46-30991H-02X	HS UL1672 2P22 200 TJC1-2Y	1	S801A	
40-2922AE-SWB	P. C. B. SWITCH BD	1		
48-POW007-XX0	SWITCH POWER KDC-A04	1	SW801	
67-395310-0G0	POWER SUPPLY SWITCH STATOR	1		FOR KNOB
64-B30060-104	M/C SCREW B 3 X 6	2		FOR POWER
08-02918E-NIY	ASS'Y - NICAM BD	1		
11-SC388A-MBX	TRANSISTOR 2SC388ATM (RF AMPL)	1	Q1101	
13-TDA980-1AP	IC TDA9801A	1	IC1101	
13-TDA987-4AP	IC TDA9874APS	1	IC1102	
18-CB0100-JNX	RES. C.F. 10 OHM 1/6W +/-5%	1	R1111	
18-CB0100-JNX	RES. C.F. 10 OHM 1/6W +/-5%	1	R1109	
18-CB0101-JNX	RES. C.F. 100 OHM 1/6W +/-5%	1	R1114	
18-CB0101-JNX	RES. C.F. 100 OHM 1/6W +/-5%	1	R1115	
18-CB0102-JNX	RES. C.F. 1K OHM 1/6W +/-5%	1	R1106	
18-CB0123-JNX	RES. C.F. 12k OHM 1/6W +/-5%	1	R1104	
18-CB0223-JNX	RES. C.F. 22k OHM 1/6W +/-5%	1	R1107	
18-CB0223-JNX	RES. C.F. 22k OHM 1/6W +/-5%	1	R1108	
18-CB0331-JNX	RES. C.F. 330 OHM 1/6W +/-5%	1	R1103	
18-CB0331-JNX	RES. C.F. 330 OHM 1/6W +/-5%	1	R1112	
18-CB0339-JNX	RES. C.F. 3.3 OHM 1/6W +/-5%	1	R1110	
18-CB0391-JNX	RES. C.F. 390 OHM 1/6W +/-5%	1	R1105	
18-CB0393-JNX	RES. C.F. 39K OHM 1/6W +/-5%	1	R1101	
18-CB0563-JNX	RES. C.F. 56K OHM 1/6W +/-5%	1	R1102	
18-CB0822-JNX	RES. C.F. 8.2K OHM 1/6W +/-5%	1	R1113	
25-BCB220-M1X	CAP. ELEC 22 UF 16V +/-20%	1	C1105	
25-BCB470-M1X	CAP. ELEC 47 UF 16V +/-20%	1	C1111	
25-BCB471-M1X	CAP. ELEC 470 UF 16V +/-20%	1	C1103	
25-BFB109-M1X	CAP. ELEC 1 UF 50V +/-20%	1	C1121	
26-EBP102-KBX	CAP. CER 1000 PF 50V +/-10% B	1	C1101	
26-EBP102-KBX	CAP. CER 1000 PF 50V +/-10% B	1	C1107	
26-EBP102-KBX	CAP. CER 1000 PF 50V +/-10% B	1	C1122	
26-EBP102-KBX	CAP. CER 1000 PF 50V +/-10% B	1	C1124	
26-EBP103-ZFX	CAP. CER 0.01UF 50V +80/-20% F	1	C1112	
26-EBP103-ZFX	CAP. CER 0.01UF 50V +80/-20% F	1	C1113	
26-EBP103-ZFX	CAP. CER 0.01UF 50V +80/-20% F	1	C1115	
26-EBP680-JZX	CAP. CER 68PF 50V +/-5% SL TUBE	1	C1108	

Item No.	Description	Quantity Req.	Designator	Remarks
27-MBC104-JOX	CAP. M. P. E 0.1 UF 63V +/-5%	1	C1102	
27-MBC104-JOX	CAP. M. P. E 0.1 UF 63V +/-5%	1	C1123	
27-MBC104-JOX	CAP. M. P. E 0.1 UF 63V +/-5%	1	C1106	
34-A100K0-1IX	COIL CHOKE 10UH +/-10%	1	L1101	
35-139730-00X	FERR. BEAD BF60	2		FOR L1102 & L1103
38-309820-00X	COIL I. F. T FOR VCO 76 MHz	1	T1101	
41-WJ0060-B00	WIRE BARE JUMPER 6mm	1	J1105	
41-WJ0060-B00	WIRE BARE JUMPER 6mm	1	J1107	
41-WJ0060-B00	WIRE BARE JUMPER 6mm	1	J1111	
41-WJ0085-B00	WIRE BARE JUMPER 8.5MM	1	J1103	
41-WJ0085-B00	WIRE BARE JUMPER 8.5MM	1	J1104	
41-WJ0085-B00	WIRE BARE JUMPER 8.5MM	1	J1106	
41-WJ0085-B00	WIRE BARE JUMPER 8.5MM	1	J1101	
41-WJ0085-B00	WIRE BARE JUMPER 8.5MM	1	J1102	
41-WJ0100-B00	WIRE BARE JUMPER 10MM	1	L1102	
41-WJ0100-B00	WIRE BARE JUMPER 10MM	1	L1103	
41-WJ0120-B00	WIRE BARE JUMPER 12MM	1	J1112	
41-WJ0150-B00	WIRE BARE JUMPER 15MM	1	J1113	
45-OSC24M-5N0	CRYSTAL 24.576 MHZ	1	X1101	
45-SAW926-0M0	SAW FILTER K9260M (SIF 33.4)	1	Z1101	
46-30215H-02X	HS 1365#26 200MM TJC3-2Y/SCN-2	1		P1101 FOR M. BD P101
26-ABC104-ZFX	CAP. CER 0.1 UF 50V +80-20% F	1	C1104	
26-ABC104-ZFX	CAP. CER 0.1 UF 50V +80-20% F	1	C1117	
26-ABC104-ZFX	CAP. CER 0.1 UF 50V +80-20% F	1	C1119	
26-ABC104-ZFX	CAP. CER 0.1 UF 50V +80-20% F	1	C1118	
26-ABC104-ZFX	CAP. CER 0.1 UF 50V +80-20% F	1	C1120	
26-ABC104-ZFX	CAP. CER 0.1 UF 50V +80-20% F	1	C1125	
26-ABC104-ZFX	CAP. CER 0.1 UF 50V +80-20% F	1	C1126	
08-29224E-PW1	ASS'Y - POWER PARTS	1		
10-0FR104-FBX	DIODE FR104 (FAST RECTIFIER)	1	D802	
10-0FR104-FBX	DIODE FR104 (FAST RECTIFIER)	1	D833	
10-ORU3YX-FOX	DIODE RU3YX (FAST RECTIFIER)	1	D830	
10-1N4001-EBX	DIODE 1N4001 (RECTIFIER)	1	D836	
10-1N4148-ABX	DIODE 1N4148 (SWITCHING)	1	D804	
10-1N4148-ABX	DIODE 1N4148 (SWITCHING)	1	D805	
10-79C12V-DBX	DIODE ZENER 12V 1/2W 5%	1	D838	
10-79C8V2-DBX	DIODE ZENER 8V2 1/2W 5%	1	D841	
10-HER108-FBX	DIODE HER108	1	D806	

Item No.	Description	Quantity Req.	Designator	Remarks
10-HS5V6B-DBX	DIODE 500mW 5.6HSB	1	D840	
11-C124ES-0BX	TRANSISTOR PDTC124ES (NPN)	1	Q834	
11-C124ES-0BX	TRANSISTOR PDTC124ES (NPN)	1	Q833	
11-SC1815-YBX	TRANSISTOR 2SC1815Y	1	Q831	
11-SC1815-YBX	TRANSISTOR 2SC1815Y	1	Q832	
11-SC2688-LAX	TRANSISTOR 2SC2688L (NPN)	1	Q830	
11-SK2996-OAX	TRANSISTOR 2SK2996 (MOS)	1	Q801	
13-00KA78-05S	IC KA7805 5V 1A (REGULATOR)	1	IC804	
13-00KA78-09S	IC KA7809 9V 1A (REGULATOR)	1	IC803	
13-00TLP6-21P	PHOTO COUPLER TLP621 (GRH)	1	IC802	
13-44608P-40P	IC MC44608P40	1	IC801	
18-CB0102-JNX	RES. C.F. 1K OHM 1/6W +/-5%	1	R809	
18-CB0103-JNX	RES. C.F. 10K OHM 1/6W +/-5%	1	R844	
18-CB0103-JNX	RES. C.F. 10K OHM 1/6W +/-5%	1	R835A	
18-CB0332-JNX	RES. C.F. 3.3k OHM 1/6W +/-5%	1	R834	
18-CB0333-JNX	RES. C.F. 33K OHM 1/6W +/-5%	1	R838	
18-CB0392-JNX	RES. C.F. 3.9K OHM 1/6W +/-5%	1	R807	
18-CB0472-JNX	RES. C.F. 4.7k OHM 1/6W +/-5%	1	R806	
18-CD0103-JNX	RES. C.F. 10K OHM 1/4W +/-5%	1	R820	
18-CD0220-JNX	RES. C.F. 22 OHM 1/4W +/-5%	1	R811A	
18-CD0221-JNX	RES. C.F. 220 OHM 1/4W +/-5%	1	R833	
18-CD0471-JNX	RES. C.F. 470 OHM 1/4W +/-5%	1	R811	
18-CE0479-JNX	RES. C.F. 4.7 OHM 1/2W +/-5%	1	R832	
20-TR502H-5CX	TRIMMER B5K HORIZ TYPE	1	VR829	
18-DD0104-FNX	RES. M.F. 0.1M OHM 1/4W +/-1%	1	R804	
18-DD0472-FNX	RES. M.F. 4.7K OHM 1/4W +/-1%	1	R804A	
18-DE0823-FNX	RES. M.F. 82K OHM 1/2W +/-1%	1	R831	
18-FG0223-JHX	RES. M.O. 22K OHM 2W +/-5%	1	R839	
18-FG0333-JHX	RES. M.O. 33K OHM 2W +/-5%	1	R837	
18-GJ0103-KTX	RES. CEMENT 10K OHM 5W +/-10%	1	R836	
18-GJ0223-KTX	RES. WIRE ROUND 5W 22K OHM +/-10%	1	R808	
18-KF0825-JH3	RES. H.VOLT. CC 8.2M OHM 1W +/-5%	1	R812A	
22-NTC479-XX0	NTC 4.7 OHM +/-18% NTC4.7D2-14	1	RT802	
22-PTC200-XX0	POSISTOR 20 OHM (25-34)	1	RT801	
25-BJG221-MIX	CAP. ELEC 220 UF 160V +/-20%	1	C835	
26-ABC102-KBX	CAP. CER 1000 PF 50V +/-10% B	1	C804A	
26-ABC104-ZFX	CAP. CER 0.1 UF 50V +80-20% F	1	C813	
26-ABC221-JZX	CAP. CER 220 PF 50V +/-5% SL	1	C841	

Item No.	Description	Quantity Req.	Designator	Remarks
26-AGK221-KRX	CAP. CER 220 PF 250V +/-10%	1	C830	
26-AIM103-KBX	CAP. CER 0.01UF 500V +/-10% B	1	C805	
26-AIM103-KBX	CAP. CER 0.01UF 500V +/-10% B	1	C834	
26-AKK221-KRX	CAP. CER 220 PF 1KV +/-10% R	1	C833	
26-AMK152-KRX	CAP. CER 1500 pF 2KV +/-10% R	1	C818	
26-AMK331-JZX	CAP. CER 330 pF 2KV +/-5% SL	1	C817	
26-APK222-ME4	CAP. CER 2200PF 400VAC+/-20% E	1	C816	
26-APK471-KBX	CAP. CER 470PF 400VAC +/-10% B	1	C803	
26-APK471-KBX	CAP. CER 470PF 400VAC +/-10% B	1	C804	
26-AQK472-ZFX	CAP. CER 4700PF 250VAC+80-20%F	1	C807	
26-AQK472-ZFX	CAP. CER 4700PF 250VAC+80-20%F	1	C808	
26-EBP101-JCX	CAP. CER 100PF 50V +/-5% CH	1	C814	
26-EBP102-KBX	CAP. CER 1000 PF 50V +/-10% B	1	C844	
27-AQT224-MVH	CAP. M.PP 0.22 UF 250VAC 20%	1	C801	
27-MBC104-JOX	CAP. M.P.E 0.1 UF 63V +/-5%	1	C820	
27-MHW104-KOX	CAP. M.PE 0.1 UF 400V +/-10%	1	C802A	
34-R101K2-1BX	COIL CHOKE 100 UH +/-10%	1	L801	
34-R101K2-1BX	COIL CHOKE 100 UH +/-10%	1	L802	
35-139730-00X	FERR. BEAD BF60	1		L814 (FOR D831)
35-139730-00X	FERR. BEAD BF60	1		L815 (FOR D831)
35-237250-00X	FERR. BEAD HF70 4.5X5.0	1		L810 (FOR D830)
35-237250-00X	FERR. BEAD HF70 4.5X5.0	1		L812 (FOR D833)
35-237250-00X	FERR. BEAD HF70 4.5X5.0	1		L811 (FOR D830)
35-237250-00X	FERR. BEAD HF70 4.5X5.0	1		L813 (FOR D833)
35-237250-00X	FERR. BEAD HF70 4.5X5.0	2		FOR D806
35-237250-00X	FERR. BEAD HF70 4.5X5.0	2		FOR D804
36-TRF046-XX1	TRANSFORMER CONV. BCK-4201-39m	1	T803	
41-WJ0065-B00	WIRE BARE JUMPER 6.5MM	1	J815	
41-WJ0100-B00	WIRE BARE JUMPER 10MM	1	J805	
41-WJ0100-B00	WIRE BARE JUMPER 10MM	1	J802F	
41-WJ0100-B00	WIRE BARE JUMPER 10MM	1	L816	
41-WJ0100-B00	WIRE BARE JUMPER 10MM	1	J804	
41-WJ0100-B00	WIRE BARE JUMPER 10MM	1	J814	
41-WJ0125-B00	WIRE BARE JUMPER 12.5MM	1	J816	
41-WJ0125-B00	WIRE BARE JUMPER 12.5MM	1	J817	
41-WJ0130-B00	WIRE BARE JUMPER 13MM	1	J803	
41-WJ0145-B00	WIRE BARE JUMPER 14.5MM	1	J811	
41-WJ0150-B00	WIRE BARE JUMPER 15MM	1	J809	

Item No.	Description	Quantity Req.	Designator	Remarks
41-WJ0150-B00	WIRE BARE JUMPER 15MM	1	J810	
41-WJ0150-B00	WIRE BARE JUMPER 15MM	1	J812	
41-WJ0175-B00	WIRE BARE JUMPER 17.5MM	1	J807	
41-WJ0175-B00	WIRE BARE JUMPER 17.5MM	1	J813	
41-WJ0195-B00	WIRE BARE JUMPER 19.5MM	1	J806	
46-10962W-02X	PIN BASE *2 TJC2-2A	1	S803	
46-28559W-02X	PIN BASE *2 TJC1-2A	1	S801	
50-03150D-1GS1	FUSE 3.15AT 250VAC 5mmX20mm	1		FOR F801
64-B30100-104	M/C SCREW B 3 X 10	1		FOR Q801
64-P30080-104	M/C SCREW P 3 X 8	1		FOR IC803
64-P30080-104	M/C SCREW P 3 X 8	1		FOR IC804
66-20516X-0B0	FUSE HOLDER	2		FOR F801
66-343730-0B0	HOLLOW RIVET 1.6X3.0XL3.2	2		FOR D830
66-343730-0B0	HOLLOW RIVET 1.6X3.0XL3.2	2		FOR C835
66-343730-0B0	HOLLOW RIVET 1.6X3.0XL3.2	4		FOR T803
66-343730-0B0	HOLLOW RIVET 1.6X3.0XL3.2	2		FOR DB801
66-382330-0B7	RIVET 2.0X3.7X3.5	2		FOR R808
66-382330-0B7	RIVET 2.0X3.7X3.5	2		FOR R836
67-H27292-3A0	HEAT SINK	1		FOR IC803
67-H27292-3A0	HEAT SINK	1		FOR IC804
67-H35984-2A0	HEAT SINK	1		FOR Q801
90-209770-SR1	SILICONE GREASE G-746	0.0006		
25-BCB470-M1X	CAP. ELEC 47 UF 16V +/-20%	1	C849	
25-BCB470-M1X	CAP. ELEC 47 UF 16V +/-20%	1	C845	
25-BCB470-M1X	CAP. ELEC 47 UF 16V +/-20%	1	C863	
25-BCB471-M1X	CAP. ELEC 470 UF 16V +/-20%	1	C843	
25-BEA102-M1X	CAP. ELEC 1000 UF 35V +/-20%	1	C832	
25-BEB101-M1X	CAP. ELEC 100 UF 35V +/-20%	1	C840	
10-ORU3AM-FOX	DIODE RU3AM (FAST RECOVERY)	1	D831	
41-WJ0100-B00	WIRE BARE JUMPER 10MM	1	J802G	
66-343730-0B0	HOLLOW RIVET 1.6X3.0XL3.2	4		FOR T801
66-343730-0B0	HOLLOW RIVET 1.6X3.0XL3.2	2		FOR C832
66-343730-0B0	HOLLOW RIVET 1.6X3.0XL3.2	2		FOR C801
25-BCB100-M1X	CAP. ELEC 10 UF 16V +/-20%	1	C812	
41-WJ0100-B00	WIRE BARE JUMPER 10MM	1	R807A	
18-DD0392-FNX	RES. M.F. 3.9K OHM 1/4W +/-1%	1	R835	
41-WJ0100-B00	WIRE BARE JUMPER 10MM	1	R840	
18-KE0105-JN1	RES. H. VOLT. CC 1M OHM 1/2W +/-5%	1	R805	

Item No.	Description	Quantity Req.	Designator	Remarks
10-PC574J-DJX	DIODE ZENER UPC 574J	1	D834	
71-DYP000-WX1	LABEL	1		
66-343730-OB0	HOLLOW RIVET 1.6X3.0XL3.2	3		FOR RT801
74-010050-40C	POLYBAG FOR POWER (10CMX50CM)	1		
10-D3SB60-H7X	DIODE D3SB60 (BRIDGE RECT.)	1	DB801	
25-BMJ221-M1X	CAP. ELEC 220 UF 400V +/-20%	1	C806	
66-382330-OB7	RIVET 2.0X3.7X3.5	2		FOR C806
18-RG0228-JHX	RES. WIRE ROUND 0.22 OHM 2W +/-5%	1	R810	
26-ABC104-ZFX	CAP. CER 0.1 UF 50V +80-20% F	1	C842	
26-ABC104-ZFX	CAP. CER 0.1 UF 50V +80-20% F	1	C831	
26-ABC104-ZFX	CAP. CER 0.1 UF 50V +80-20% F	1	C846	
26-ABC104-ZFX	CAP. CER 0.1 UF 50V +80-20% F	1	C864	
36-LIF005-XX0	LINE FILTER LCL-2826	1	T801	
27-RJP472-JOX	CAP. PP 4700 PF 630V +/-5%	1	C809	
08-HS46F0-M113B	ASS'Y - REMOTE HANDSET	1		
13-00AS12-13B	IC AS1213B	1	IC1501	
14-IRE05B-XX0	IR EMITTING DIODE TSAL6200	1	D1501	
18-CB0221-JNX	RES. C.F. 220 OHM 1/6W +/-5%	1	R1502	
18-CB0229-JNX	RES. C.F. 2.2 OHM 1/6W +/-5%	1	R1501	
25-HBB479-M1X	CAP. ELEC 4.7 UF 10V +/-20%	1	C1502	
26-EBP101-JCX	CAP. CER 100PF 50V +/-5% CH	1	C1503	
26-EBP101-JCX	CAP. CER 100PF 50V +/-5% CH	1	C1504	
40-113SLF-RMB	P.C.B. REMOTE HANDSET BD	1		
41-WJ0070-B00	WIRE BARE JUMPER 7MM	1	J1501	
45-COS455-KY1	CERAMIC RESONATOR 455KHz	1	X1501	
49-HS46F0-00X	RUBBER PAD KEYS	1		
55-HS46FB-OHA	CASE LOWER - REMOTE HANDSET	1		
55-HS46FD-OHA	DOOR BATT. - REMOTE HANDSET	1		
55-HS46FT-OHA	CASE UPPER - REMOTE HANDSET	1		
63-B26060-BT2	S/T SCREW B 2.6 X 6 BT	1		
67-X26968-OE2	BATT. TERMINAL (+/-)	1		
67-X31028-OE2	SPRING - BATTERY (-)	1		
67-X31029-OE2	SPRING - BATTERY (+)	1		
74-009022-60C	POLYBAG HANDSET (9CMX22CM)	1		
11-OBC337-OBX	TRANSISTOR (NPN) BC337-40	1	Q1501	
58-HS46F3-DUI	INLAY REMOTE HANDSET	1		
08-2922XE-AV1	ASS'Y - TERMINAL AV BD	1		
40-2922AE-AVA	P.C.B. AV BD	1		

Item No.	Description	Quantity Req.	Designator	Remarks
47-RCA002-XX0	RCA SOCKET AV-8. 4-6 (WHITE)	1	P1305	
47-RCA002-XX0	RCA SOCKET AV-8. 4-6 (WHITE)	1	P1308	
47-RCA003-XX0	RCA SOCKET AV-8. 4-6 (YELLOW)	1	P1304	
47-RCA003-XX0	RCA SOCKET AV-8. 4-6 (YELLOW)	1	P1307	
62-2922TB-OHN	REAR AV BRACKET	1		
63-B30100-AB4	S/T SCREW B 3 X 10 AB	4		FOR AV PCB TO JACK PLATE MTG
66-388280-OB0	COPPER BEAD	2		FOR TERMINALBOARD
47-RCA001-XX0	RCA SOCKET AV-8. 4-6 (RED)	1	P1309	
46-30775H-07X	HS 2468 #24 260 TJC3-7Y/SCN-7Y	1	P1316	
47-RCA001-XX0	RCA SOCKET AV-8. 4-6 (RED)	1	P1306	
08-2922XE-SI1	ASS'Y - SIDE AV BD	1		
40-2922AE-SIA	P. C. B. SIDE AV BD	1		
41-WJ0085-B00	WIRE BARE JUMPER 8.5MM	1	J961	
41-WJ0085-B00	WIRE BARE JUMPER 8.5MM	1	J962	
41-WJ0085-B00	WIRE BARE JUMPER 8.5MM	1	J963	
41-WJ0085-B00	WIRE BARE JUMPER 8.5MM	1	J964	
47-RCA041-XX0	JACK RCA 3PH H=8MM YL WH RD/SW	1	P962	
47-SVI002-XX0	Y/C SOCKET VERTICAL TYPE	1	P961	
58-2922SI-1UI9A	INLAY SIDE AV	1		
62-2922SB-OHA5B	SIDE AV BRACKET	1		
63-W30100-AB4	S/T SCREW W 3 X 10 AB	2		FOR SIDE JACK PCB
54-295210-OV0	FIBER WASHER	1		FOR SIDE AV PCB
46-38610H-07X	HS 7P 600 TJC3-7Y/SCN-7Y	1	P963	
67-388190-OG0	STATOR (FOR S-AV PCB)	1		FOR SIDE JACK PCB

TCLM113 chassis alignment instruction

Enter factory mode in production line

Simply press the D-mode key on the factory remote handset.

Enter service mode

Press and hold the VOLUME DOWN key tightly on the unit until minimum level and don't release the VOLUMN DOWN key, then press the DISPLAY key on the remote handset.

“D” letter on the screen indicated that the factory mode was entered. Now you can use the shortcut key to access the factory menu. All change in factory data will save in EEPROM automatically

Note:

1. You can disable the D-Mode key (on factory remote handset) by change “BIT-0” of “OPT” to “0”.
If the D-Mode key was disabled, you can't enter D-Mode by the D-mode key on the factory remote (but you can still enter service mode). It is suggested to disable the D-Mode key before the set leave the factory.
2. On the factory remote handset, you can find the “I²C” key. It can cut off the I²C control from the CPU to other IC. This is only useful when automatic adjustment of white balance.
3. All system data in menu of “key 6” must keep unchanged when servicing. Otherwise, the set may not work properly.

Setting method:

No	Adjustment Items	Data Name (default value inside blanket)	Conditions and input signal	Setting method (need enter D-mode)
1	Screen voltage	-----	“IRGB cut off” must set to 80 (all pattern)	<ul style="list-style-type: none"> ● Press “MUTE” key on the remote handset and the screen will become a horizontal line. Then adjust the “screen” VR on the flyback until the horizontal line can just be seen (minimum visible intensity).
2	Focus voltage	-----	Cross hatch pattern.	<ul style="list-style-type: none"> ● Adjust the “focus” VR on the flyback until the screen becomes clear.
3	Vertical geometry for PAL system (Key 1)	HIT(11) VP50(02) VLIN(00) VSC(01) VBLK(00) VCEN(11) OSDH(1F)	Input a PAL cross hatch pattern.	<ul style="list-style-type: none"> ● Adjust HIT for vertical amplitude. ● Adjust VP50 for vertical position. ● Adjust VLIN for vertical linearity. ● Adjust VSC for vertical S-correction ● (Normally use default value) ● (Normally use default value). ● Adjust OSDH for OSD position

5	Vertical geometry for NTSC system (Key 1)	HITS(14) VP60(00) VLIS(02) VSS(02) VBLK(00) VCEN(11) OSDHS(1D)	Input a NTSC cross hatch pattern.	<ul style="list-style-type: none"> ● Adjust HITS for vertical amplitude. ● Adjust VP60 for vertical position. ● Adjust VLINS for vertical linearity. ● Adjust VSS for vertical S-correction ● (normally use default value) ● (normally use default value) ● Adjust OSDHS for OSD position
6	Horizontal geometry for PAL system (Key 2)	HPOS (11) DPC(26) KEY(15) WID(2A) ECCT(0D) ECCB(0C) VEHT(04) HEHT(04)	Input a PAL cross hatch pattern with black and white background.	<ul style="list-style-type: none"> ● Adjust HPOS for horizontal position. ● Adjust DPC, KEY, ECCT and ECCB until the vertical line at left and right side of the picture become straight. ● Adjust WID for horizontal width. ● VEHT and HENT is for the picture size stability when changing the brightness of the screen. Receive pattern of cross hatch with black background and then change to white background, then compare the vertical and horizontal size between black and white background. Adjust VEHT and HEHT until you get the minimum difference of screen size. After you adjust VEHT and HEHT, you must re-adjust vertical and horizontal amplitude.
7	Horizontal geometry for NTSC system (Key 2)	HPS (15) DPCS(21) KEYS(10) WIDS(29) ECCTS(12) ECCBS(11) VEHTS(04) HEHTS(04)	Input a NTSC cross hatch pattern with black and white background.	<ul style="list-style-type: none"> ● Adjust HPS for horizontal position. ● Adjust DPCS, KEYS, ECCTS and ECCBS until the vertical line at left and right side of the picture become straight. ● Adjust WIDS for horizontal width. ● Adjust VEHTS and HEHTS using same method of PAL system. Also need re-adjustment of vertical and horizontal amplitude.
8	Key 3 (Status adjustment)	CNTX (5A) CNTN (05) BRTX (20) BRTN (1D) COLX (3F) COLN (00) TNTX (42) TNTN (28)	-----	<ul style="list-style-type: none"> ● (all use default value)
9	Key 4 (Status adjustment)	BRTC (37) COLC (57) COLS (47) COLP (F0) SCOL(04) SCNT (0F) CNTC (40) TNTC (48)	-----	<ul style="list-style-type: none"> ● (all use default value)

10	Key 5 (sharpness adjustment)	ST3 (20) SV3 (20) ST4 (20) SV4 (20) SVD(15) ASSH(04) SHPX (3F) SHPN (1A)	-----	● (all use default value)
11	Key 7 (Status adjustment)	RFAGC (26) SBY (0A) SRY (08) BRTS (0D) TXXC (1F) RGCN (00) MUTT(70) STAT(30)	Receive a 60dB grey scale + color bar signal	<ul style="list-style-type: none"> ● Adjust RFAGC until the picture noises disappear exactly. ● Adjust SBY and SRY to get the optimal color for SECAM system. ● For the adjustment of BRTS, receive an 8 step grey scale pattern and adjust all picture settings to 50%. Then adjust BRTC until the first and second step on the screen can just be distinguished. ● (the other use default value)
12	Key 8 (curve of volume control, curve of B.E./WOO- FER)	V01(3A) V25(B0) V50(DC) V100(FF) BASC(40) BASX(72) TREC(40) WOFC(39) AVC(0E) NEWS(14) SPACES(5A) NEWT(14) SPACET(5A) WOFF(00) B01(4F) B25(68) B50(7F)	-----	● (all use default value)
13	Key calendar (other adjustment)	SVM(05) SVM1(05) SVM2(05) SVM3(05) PYNX(28) PYNN(15) PYXS(22) PYNS(04)	-----	● (all use default value)
14	Key note (other adjustment)	CLTO(4B) CLTM(4C) CLVO(4D) CLVD(48) ABL(27) DCBS(33) DEF(01)	-----	● (all use default value)

15	Key game (other adjustment)	OSD1(30) OSDF1(66) OSD2(48) OSDF2(75) HAFC(09) NOIS(01) UCOM(00)	-----	● (all use default value)
16	Key 0 (White balance adjustment)	R CUT (80) G CUT (80) B CUT (80) G DRV (40) B DRV (40)	Black and white pattern (PAL)	<ol style="list-style-type: none"> 1. Measure the dark side of the picture with a color analyzer and set RCUT to 80. Then adjust BCUT and GCUT until the data on the analyzer become x = 284, y = 299. 2. Measure the bright side of the picture, Then adjust BDRV and GDRV until the data on the analyzer become x = 284, y = 299. 3. Repeat step 1 and 2 until you get right color on both dark and bright side of the screen.

System data:

Item	Adjust item	Default value
Key6	OPT FLG0 FLG1 STBY HD-DELAY MODE0 MODE1 MODE2	

FACTORY-OUT SETUP : In D-MODE, press **RECALL** button to initialize to the FACTORY-OUT status.

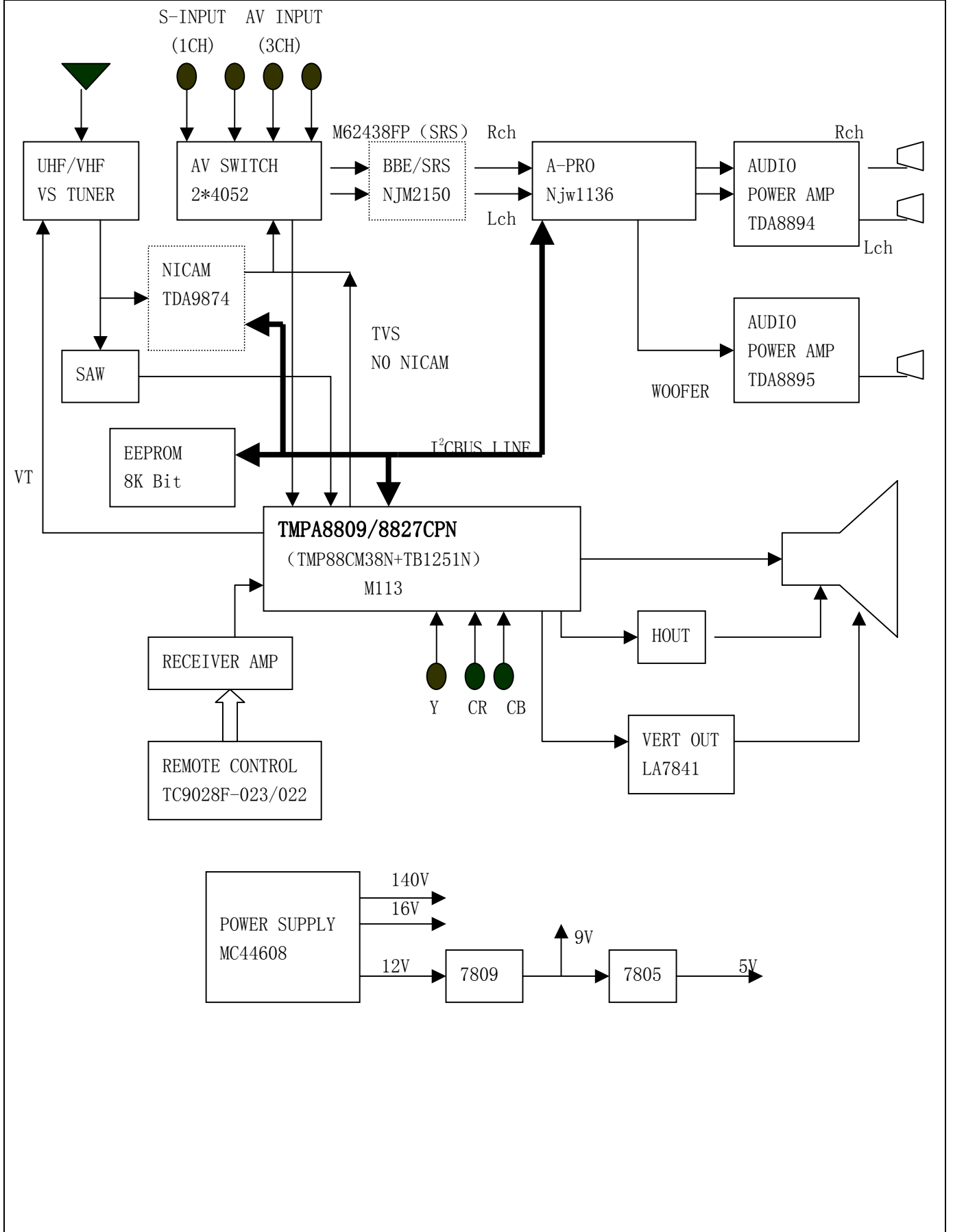
AGING MODE: In D-MODE, press **OK** button to entry AGING MODE.

EEPROM INITIALZATION: In D-MODE, press “**0752**” to initialize EEPROM.



NOTICE: Before to be released, any M113 chassis must be initialized to the FACTORY-OUT status.

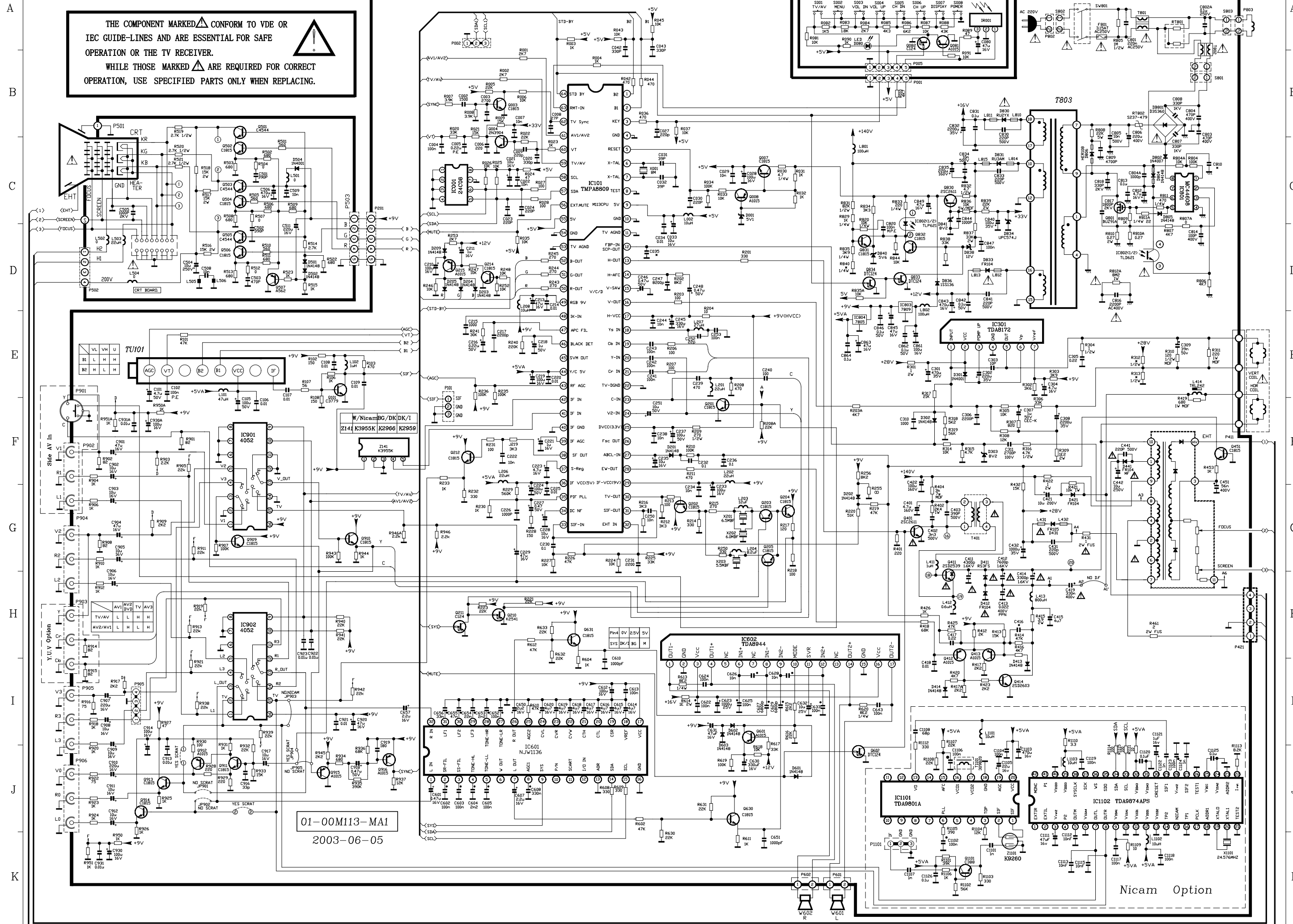
Don't try to initialize EEPROM, unless software can't work normally.

M113 Block Diagram



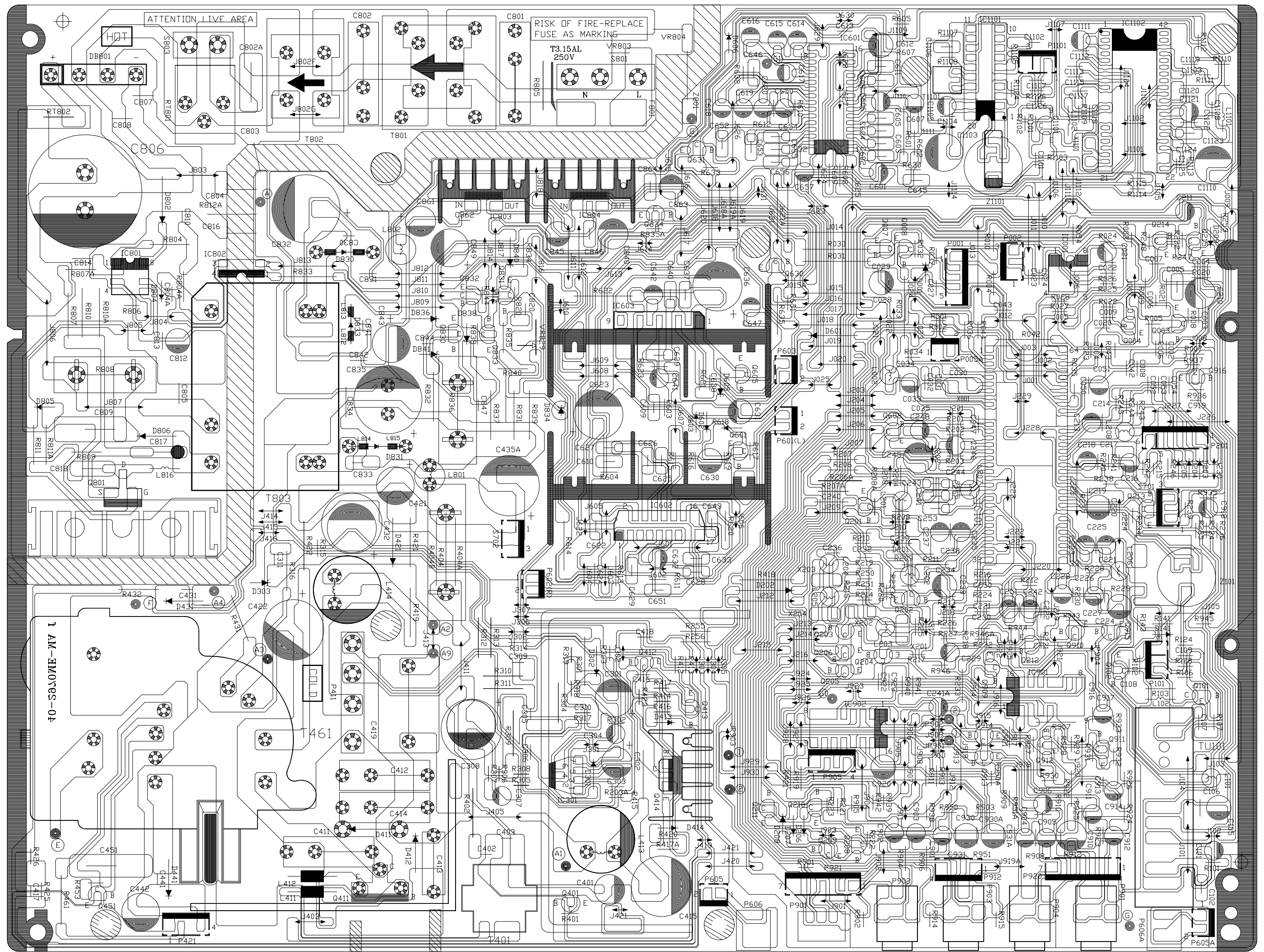
Service Sheet of M113 Chassis

THE COMPONENT MARKED  CONFORM TO VDE OR IEC GUIDE-LINES AND ARE ESSENTIAL FOR SAFE OPERATION OF THE TV RECEIVER. WHILE THOSE MARKED  ARE REQUIRED FOR CORRECT OPERATION, USE SPECIFIED PARTS ONLY WHEN REPLACING.

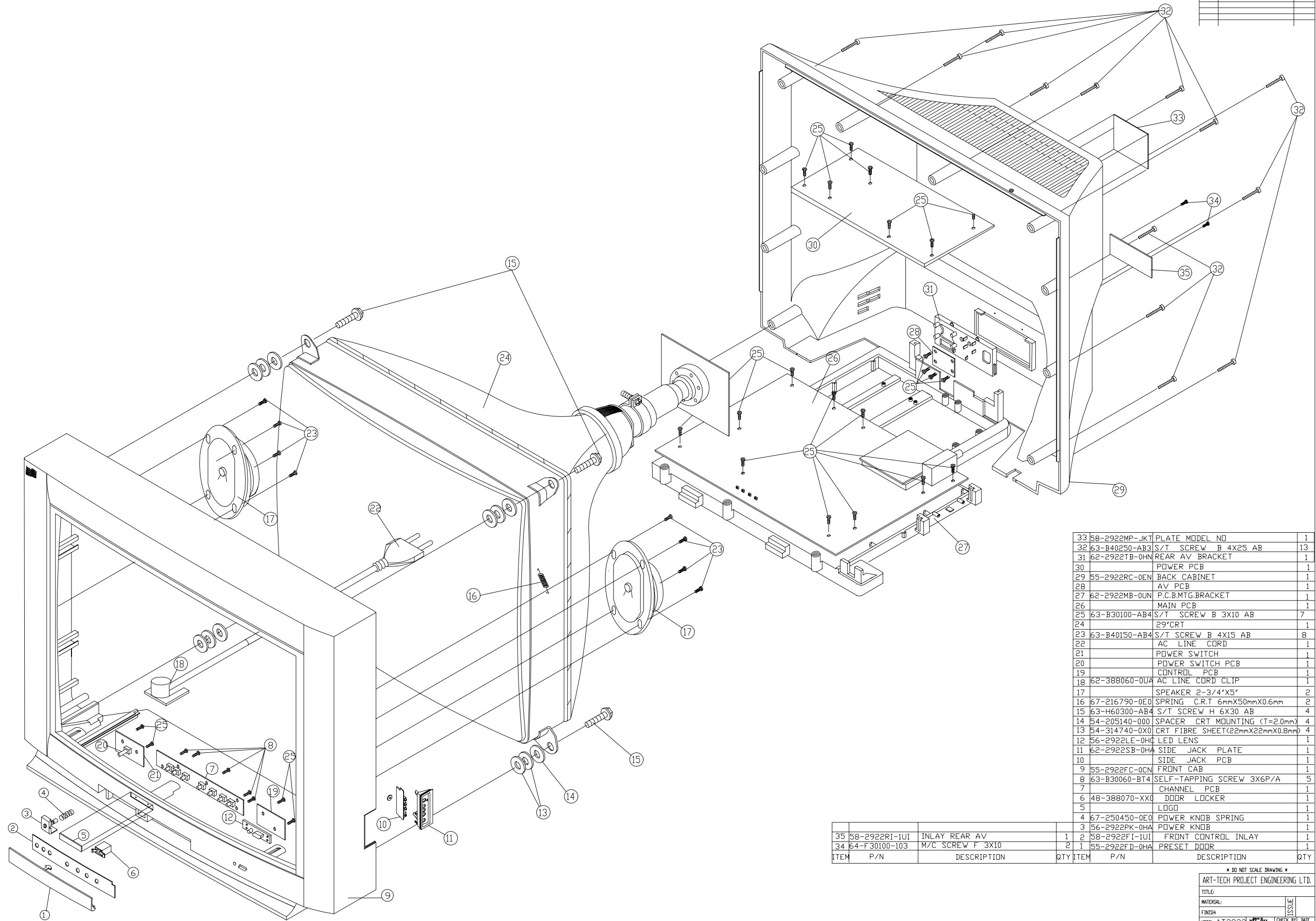


01-00M113-MA1
2003-06-05

Nicam Option



ISSUE	ITEM	DATE



33	58-2922MP-JKT	PLATE MODEL NO	1
32	63-B40250-AB3	S/T SCREW B 4X25 AB	13
31	62-2922TB-0HN	REAR AV BRACKET	1
30		POWER PCB	1
29	55-2922RC-0EN	BACK CABINET	1
28		AV PCB	1
27	62-2922MB-0UN	P.C.B.MTG.BRACKET	1
26		MAIN PCB	1
25	63-B30100-AB4	S/T SCREW B 3X10 AB	7
24		29"CRT	1
23	63-B40150-AB4	S/T SCREW B 4X15 AB	8
22		AC LINE CORD	1
21		POWER SWITCH	1
20		POWER SWITCH PCB	1
19		CONTROL PCB	1
18	62-388060-0UA	AC LINE CORD CLIP	1
17		SPEAKER 2-3/4"X5"	2
16	67-216790-0E0	SPRING CRT 6mmX50mmX0.6mm	2
15	63-H60300-AB4	S/T SCREW H 6X30 AB	4
14	54-205140-000	SPACER CRT MOUNTING (T=2.0mm)	4
13	54-314740-0X0	CRT FIBRE SHEET(22mmX22mmX0.8mm)	4
12	56-2922LE-0HC	LED LENS	1
11	62-2922SB-0HA	SIDE JACK PLATE	1
10		SIDE JACK PCB	1
9	55-2922FC-0CN	FRONT CAB	1
8	63-B30060-BT4	SELF-TAPPING SCREW 3X6P/A	5
7		CHANNEL PCB	1
6	48-388070-XX0	DOOR LOCKER	1
5		LOGO	1
4	67-250450-0E0	POWER KNOB SPRING	1
3	56-2922PK-0HA	POWER KNOB	1
2	58-2922FI-1UI	FRONT CONTROL INLAY	1
1	55-2922FD-0HA	PRESET DOOR	1

ITEM	P/N	DESCRIPTION	QTY	ITEM	P/N	DESCRIPTION	QTY
35	58-2922RI-1UI	INLAY REAR AV	1	2	58-2922FI-1UI	FRONT CONTROL INLAY	1
34	64-F30100-103	M/C SCREW F 3X10	2	1	55-2922FD-0HA	PRESET DOOR	1

• DO NOT SCALE DRAWING •

ART-TECH PROJECT ENGINEERING LTD.

TITLE:

MATERIAL:

FINISH:

MODEL: AT2922 **XU GH** CHECK BY: DATE: 21-09-2003

UNIT IN MM UNLESS OTHERWISE SPECIFIED

LINEAR +/- 0.1 PART NO.

ANGULAR +/- 1/2° REAR FILE SHEET OF 3